

## LED FLAT PANEL - AT Series Nova

### NOVA Flat Panel

#### Indoor

The NOVA has served in offices, schools, hospitals, and community centers to great effect and is one of our best-selling products. The streamlined profile, combined with high performance and minimal maintenance, has quickly gained traction among our customers.



### Specifications

Luminaire	NOVA Flat Panel	Type
Project		
Product		
Notes		

1. Housed in heavy-duty sheet metal with integrated heatsink.
2. Surface-mounted-device (SMD) LEDs with CRI of 80+
3. Can be recessed or installed on a surface mount.



<b>Input Voltage (VAC)</b>	120-277
<b>CRI</b>	82
<b>CCT (K)</b>	3500 4000 5000
<b>PF</b>	0.9
<b>THD</b>	<20%
<b>L70 (Hours)</b>	>100,000
<b>Color</b>	Matte White
<b>Housing</b>	Sheet Metal & PC Diffuser
<b>Optic Types</b>	Frosted
<b>Temperature Range</b>	-40°C to 40°C
<b>Warranty</b>	10 Years

#### Mounting

The NOVA Panel can be recessed or installed on a surface mount. When surface mounted, the luminaire maintains a slim profile due to its ≤1.7" unit depth, not including the driver box.

#### Construction

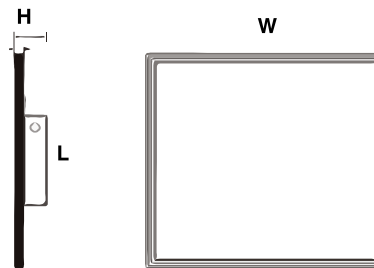
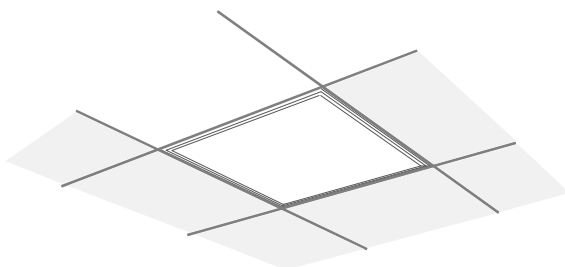
The NOVA Flat Panel is housed in heavy-duty sheet metal with an integrated heatsink. The design incorporates elegantly into a wide range of interior layouts. The lightweight design is robust and facilitates ease of installation.

#### Electrical

Standard input voltage is 120-277V. Luminous efficacy is 127 mm/W or greater. Fixtures are available in 20W, 30W, or 40W, depending on the ordered configuration.

#### Optics

The NOVA makes use of high-efficiency surface-mounted-device (SMD) LEDs with CRI of 80+. Those LEDs are matched with a polycarbonate diffuser for a consistent quality of light. Color temperatures are 3500K, 4000K or 5000K, optimal for office and design-oriented environments.



Profile



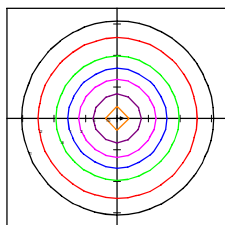
## LED FLAT PANEL - AT Series Nova

### NOVA Flat Panel

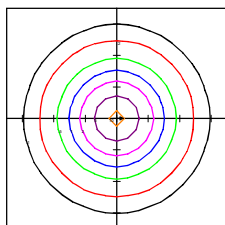
### Specifications

Indoor

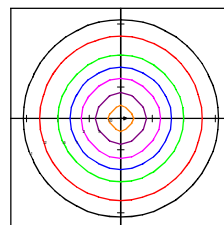
Part No.	Watts (W)	Efficacy (Lm/W)	Lumens (Lm)	Dimensions (L*W*H) Inches
FPEL14-30W-35	30	129	3,870	11.81*47.79*2.36
FPEL14-30W-40	30	129	3,870	11.81*47.79*2.37
FPEL14-30W-50	30	129	3,870	11.81*47.79*2.38
FPEL22-20W-35	20	127	2,540	23.77*23.77*2.36
FPEL22-20W-40	20	129	2,580	23.77*23.77*2.36
FPEL22-20W-50	20	130	2,600	23.77*23.77*2.36
FPEL22-30W-35	30	126	3,780	23.77*23.77*2.36
FPEL22-30W-40	30	126	3,780	23.77*23.77*2.36
FPEL22-30W-50	30	129	3,870	23.77*23.77*2.36
FPEL24-30W-35	30	127	3,810	23.77*47.79*2.36
FPEL24-30W-40	30	129	3,870	23.77*47.79*2.36
FPEL24-30W-50	30	130	3,900	23.77*47.79*2.36
FPEL24-40W-35	40	132	5,280	23.77*47.79*2.36
FPEL24-40W-40	40	132	5,280	23.77*47.79*2.36
FPEL24-40W-50	40	133	5,320	23.77*47.79*2.36



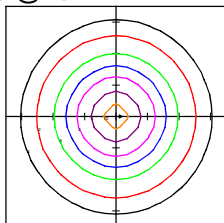
FPEL14-30W-40 @10'



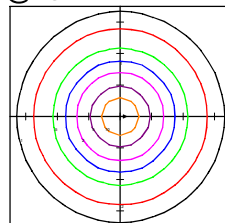
FPEL22-20W-40 @10'



FPEL22-30W-40 @10'



FPEL24-30W-40 @10'



FPEL24-40W-40 @10'

File Name	Wattage	System Wattage	Lumens	Efficacy
<b>5000K</b>				
FPEL14-30W	30	29.9	3862	129
FPEL22-20W	20	20.4	2653	130
FPEL22-30W	30	30.7	3960	129
FPEL24-30W	30	29.9	3894	130
FPEL24-40W	40	40.6	5403	133
<b>4000K</b>				
FPEL14-30W	30	29.8	3800	127
FPEL22-20W	20	20.2	2597	129
FPEL22-30W	30	30.7	3889	126
FPEL24-30W	30	29.7	3824	129
FPEL24-40W	40	40.6	5370	132
<b>3500K</b>				
FPEL14-30W	30	29.8	3768	126
FPEL22-20W	20	20.2	2568	127
FPEL22-30W	30	30.7	3854	126
FPEL24-30W	30	29.7	3788	127
FPEL24-40W	40	40.6	5353	132

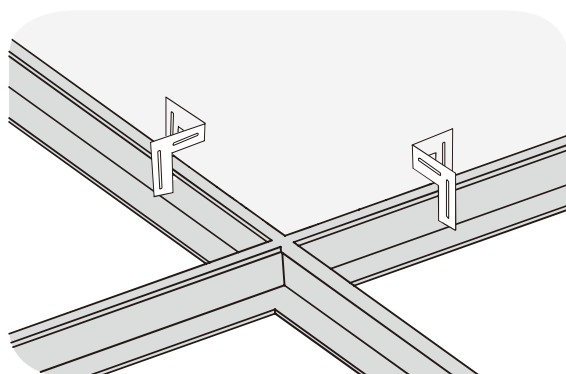
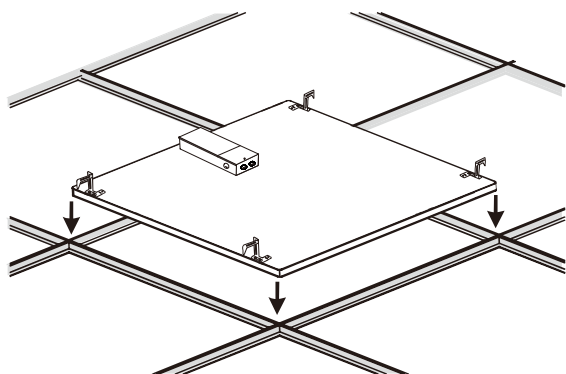
## LED FLAT PANEL - AT Series Nova

NOVA Flat Panel  
Indoor

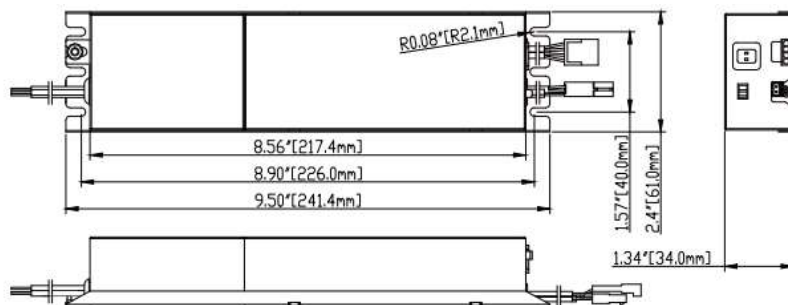
Sample Order

Sample Order: FPEL22-20W-40

Series	Dimension	Wattage	CCT
FPEL=NOVA Panel	22=2X2 14=1X4 24=2X4	-20=20W -30=30W -40=40W	-35=3500K -40=4000K -50=5000K



Surface Mounting Kit Available



### EM Kit

Emergency Kit for Panel, Troffer, Solo Troffer, Direct Kit  
Emergency Output: 10W, Emergency Time: 90 mins