

LED HAZARDOUS LOCATIONS LIGHT - MS Series G



Flat glass



Spherical glass

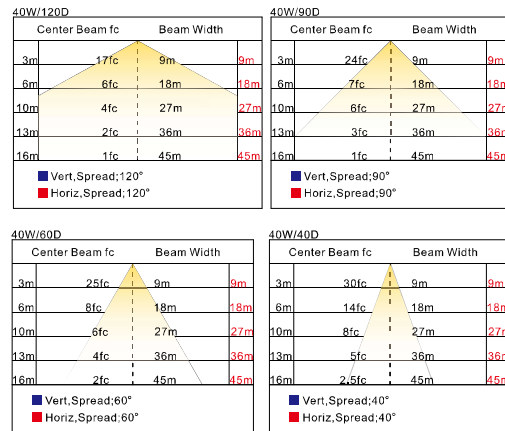
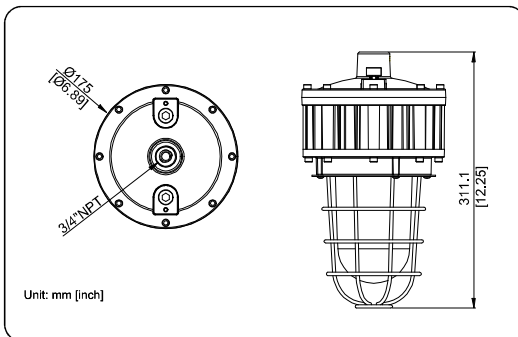


Basic Data

Product Number	Wattage	Color Temp.	Voltage	Lumens	Warranty	CRI
EX-10W GYZDA	10	4000K-5700K	100-277/200-480V	1400	5 years	70
EX-20W GYZDA	20	4000K-5700K	100-277/200-480V	2800	5 years	70
EX-30W GYZDA	30	4000K-5700K	100-277/200-480V	4200	5 years	70
EX-40W GYZDA	40	4000K-5700K	100-277/200-480V	5600	5 years	70

"G"=Product code, "Y"=D or N:Dimmable or non-dimmable "Z"= CCT, from 4000~5700K "D"=Beam angle, D40 for 40°,D60 for 60°,D90 for 90°, D120 for 120° A for glass info. blank for flat glass, C for spherical glass.

Dimensions



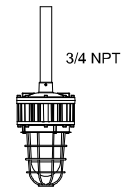
Approvals

Marking Atex	II2 G Ex db IIC T6 Gb II2 D Ex db IIIC T80 Db IP66
Marking IECEx	Ex db IIC T6 Gb Ex db IIIC T80 Db IP66
Marking UL844 (North American)	Class I, Division 1, Groups C, D Class I, Division 2, Groups A, B, C, D Class II, Division 1, Groups E, F, G Class II, Division 2, Groups E, F, G Class III
Marine Marking	UL 1598A ABS and DNV Type Approved
Other Rating	IP 66 IK 10

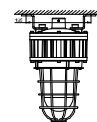
Installation



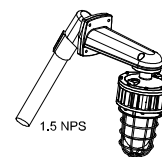
Wall mounted



Pendant



Surface mounted



Pole mounted