

LED SEMI-CUTOFF WALL PACK - WSD Series 70W



Features

- Lumileds LED, high luminous efficiency and long working life.
- High efficiency LED Driver, the wide range input voltage AC100-277V.
- Die Cast aluminium cooling design, high quality and better cooling for LED $T_j < 85^{\circ}\text{C}$.
- Excellent Optics design, greatly improve the light utilization and evenness.
- Motion sensor Control Available (Option)

Product Applications

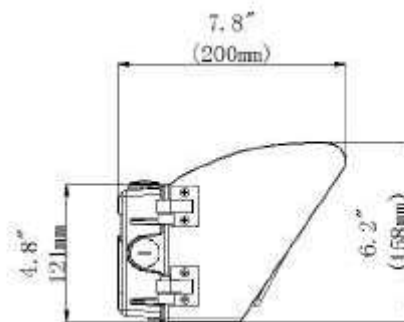
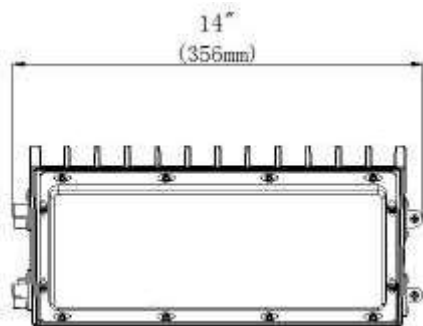
LED Semi-Cutoff Wall Pack series can be widely used in indoor or outdoor lighting (Wet location), like mechanical or electronic processing workshops, storage warehouses, steel mills, gas stations, toll booth, waiting rooms, the platforms of railway station, indoor stadiums.



LED SEMI-CUTOFF WALL PACK - WSD Series 70W

Specifications

Unit : inch(mm)



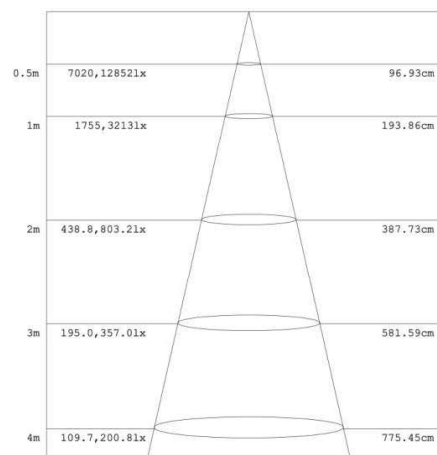
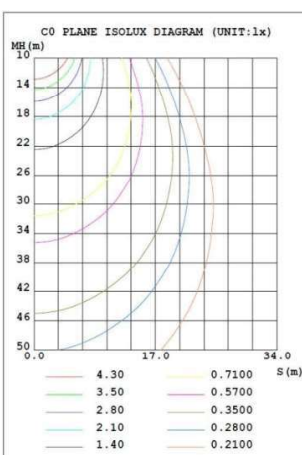
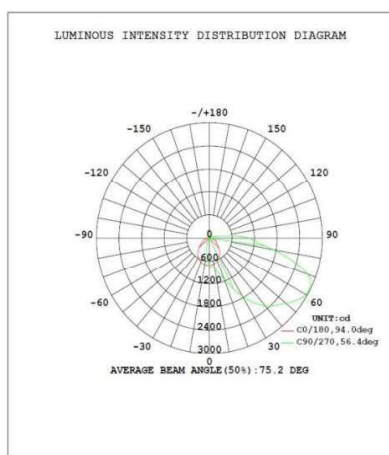
Structure Features

- Shell materials: Aluminum & PC.
- Finish: Dark Bronze/White
- Net weight : 3,5Kg (7.7 lbs) Product
- Size:335mm*137mm*159mm
- Carton Size:395mm*225mm*205mm

Technical Parameters

WSD-HWP07W27-XXK			
Power	70W	Lighting Angle	56°X94°
Input Voltage	AC100-277V	LED Brightness Decay	<5%/6000 hrs
PF	>0.95	Working Life	>50000 hrs
Driver Efficiency	>90%	Working Temperature	-30 - +45°C
Luminous Flux	7750 Lm	Storage Temperature	-40 - +80°C
Color Temperature	3000K/4000K/5000K/5700K	Protection Level	Wet Location/IP65
CRI	Ra>80	Cable	Input Connect, No cable

Photometry



Example:WSD-HWP07W27-XXK-D-P

WSD	HWP	07W	27	50K	D	P
	Product	Power	Voltage	Color Temp	Finish	Control
	HWP	45W(45W)	27	30K(3000K)	D	P
	Semi-Cutoff	07W(70W)	AC100-277V	40K(4000K)	Dark Bronze	P12:120V Photocell
	Wall Pack		48	50K(5000K)	W	P27:277V Photocell
			AC200-528V	57K(5700K)±500K	White	