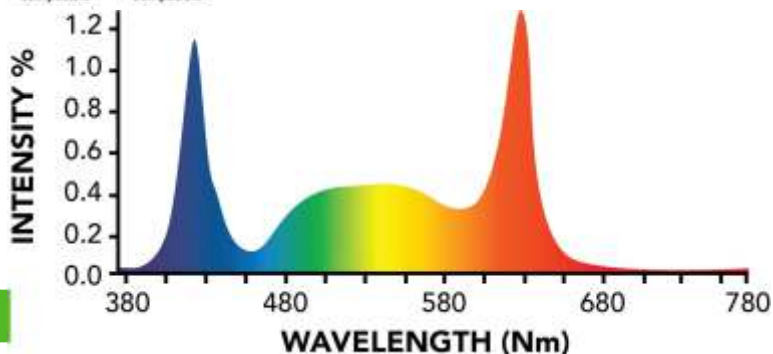


TSL-800 LED 1:1 HPS Replacement

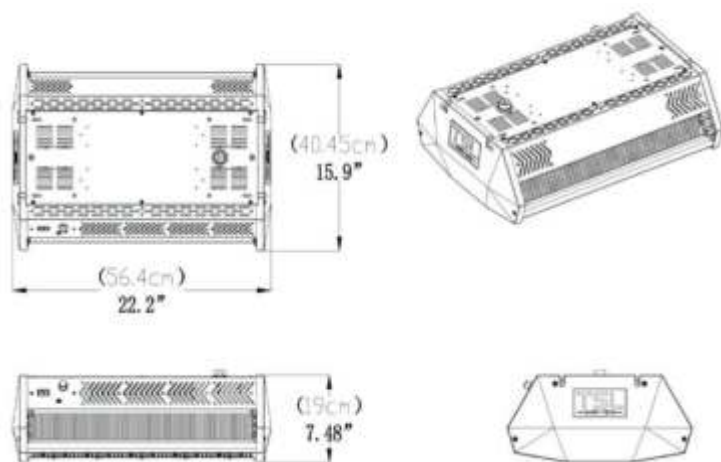
Introducing the TSL-800 direct 1:1 replacement for traditional 1000w HPS fixtures. Featuring our new patented passive thermal management design upping cooling capabilities by up to 40%. Utilizing our patented diode deployment allows us to achieve the desired angles of light distribution and an upgraded PAR output resulting in up to a 30% increase using our new GC 3KF bloom spectrum. Compatible with the Growers Choice Master Controller or CPS (Central Power Solution) this revolutionary new LED fixture can be operated by almost any level grower and is scalable for all cultivations, with the greatest yield potential in the industry.



Ordering Information

Series	Model	Spectrum
TSL	800 800	3KF 3K-FULLBLOOMPHASE
AC PLUG TYPE	Ac Power Cord	MOUNTING HARDWARE

N5P NEMA 5-15P	01 1FT	Total 9ft	R Rope Ratchets SO Special Order
N6P NEMA 6-15P	08 8FT	Total 16ft	
L7P NEMA L7-15P	15 15FT	Total 23ft	
PTP Pigtaills			



SPECIFICATIONS		
Item	Model	TSL800A
Light Source		LED
Spectrum		GC-3KF Bloom Phase
PPF (umol/J)		1900-2080 umol/s
Input Power		800W
PPE (umol/s)		2.6 umol/J
Color Render Index/weight		≥86
Fixture Dimension (L*W*H)		21.2"L x 16.1"W x 11"H / 54cm x 41cm x 28cm
Fixture Weight		32lbs / 14.5kg
Mounting Height		48" - 60" depending on application
Thermal Management		Passive
Power Driver		Isolated Driver
Driver Efficiency		≥90% (220 Vac Input)
Dimming		0-10V & Step Dimming
Dimming Range		10% - 100%
Light Distribution		120°
Maximum Ambient Temperature		104°F / 40°C
Power Factor		>0.9
Standards		UL8800, UL1598, EN60598-2-1
Certifications		UL, CE, DLC
Lifetime		Q90>54,000 hrs
Warranty		5 Years Standard Warranty

AMPERAGE BY VOLTAGE SERVICE @ 800W

VOLTAGE	120V	208V	240V	277V
AMPERAGE	6.7A	3.8A	3.5A	2.9A