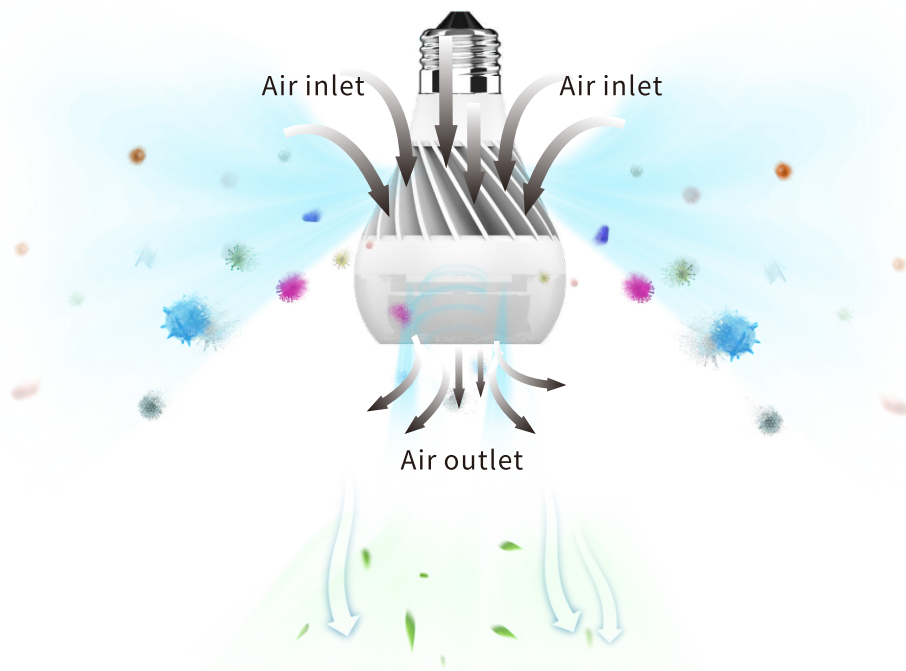




UVC PURIFICATION BULB - GK Series U56

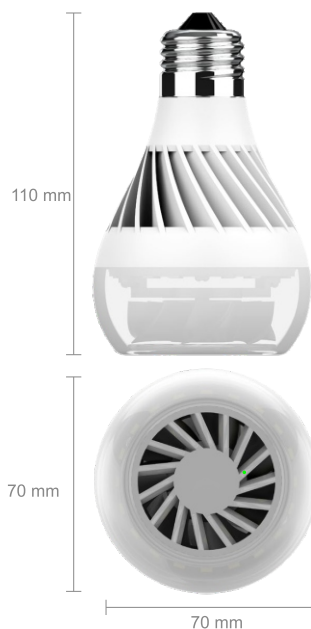
Purification principle

Indoor air convection effect is generated quickly by fan inside the equipment, which inhales bacteria and viruses floating in the air into the ultraviolet chamber of the equipment, and then viruses and bacteria are killed by ultraviolet rays.



Product parameters

The parameters of the whole lamp			
Model No.	U56-01	U56-02	U56-03
Product power	12W		
Input voltage	120V AC	230V AC	100V AC
Circulating air volume	3.5CFM (5.9m ³ /h)		
Noise (Distance at 1m)	33dB		
Working temperature	-10°C~+40°C		
Storage temperature	-20°C~+70°C		
Product size	70*70*110mm		
Lamp base	E26	E27	E26
Warranty	1 year		
UVC system parameter			
UVC system power	3.6W (UVC LED+Fan)		
UVC source type	0.6W UVC-LED 3939		
Led chip QTY	4Pcs		
LED lifespan	10000 hours UVC retention rate≥70%		
UVC wavelength	275nm		
UVC radiant power	80mw		
UVC light angle	30°		
Applicable area	5m ³		
LED white lighting parameter			
LED white light power	8.4W		
LED white chip type	2835		
Luminous flux	850Lm±10%	800Lm±10%	850Lm±10%
CCT	3000K-6000K		
CRI	≥80Ra		



Product features

01 LED lighting

Once pressing control switch, LED light starts to work, which is convenient.



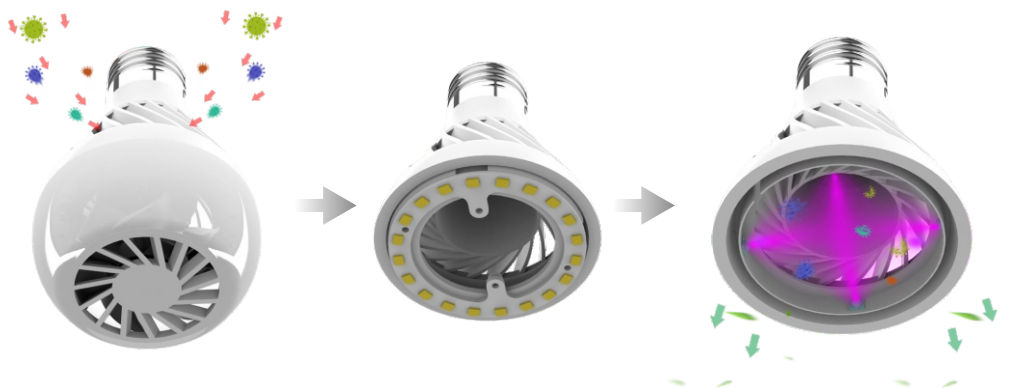
02 Centrifugal fan improves air purification efficiency

Through air suction by centrifugal fan, the dirty air with bacteria is sucked in from air inlet of the lamp body. After purified in the UVC chamber, the air will be released from air outlet of the lamp body, completing a cycle of elimination.

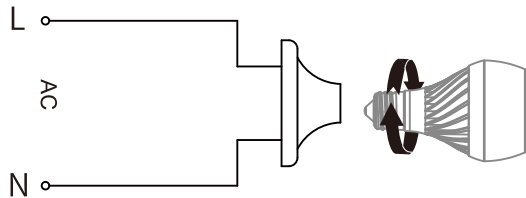


03 Human and equipment coexistence

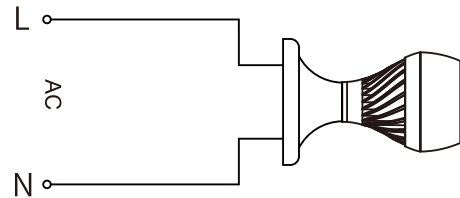
Keep UV in the closed chamber to prevent UV leakage, and maintain photobiological safety RG0 around the lamp body.



Installation method



1. Please choose E26/E27 thread lamp base. First power off the lamp base, and then screw the bulb into E26/E27 thread lamp base.



2. After installation, power on the product and debug.

Notice: The bulb must not work with dimmer switch.

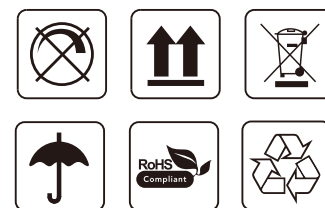
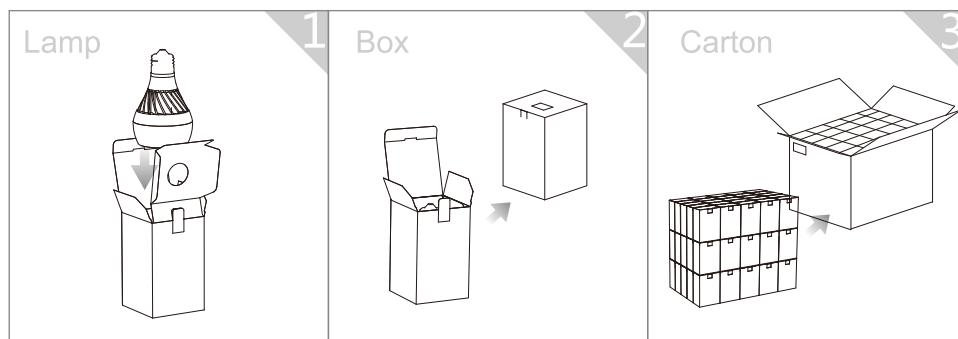
Applications



Application: table lamp, chandelier, bedroom, small office, toilet, corridor and other places.

Packing

Model No.	N.W per lamp (lbs=kgx2.2)	G.W per lamp (lbs=kgx2.2)	G.W per carton (lbs=kgx2.2)	Inner box size (x0.0393=inch)	Outer box size (x0.0393=inch)	Quantity per carton
U56-01/02/03	0.08kg	0.10kg	8.5kg	70*70*112mm	365*365*352mm	75pcs/Carton



Disclaimer:

1. The UV LED components of this product shall not be used for lighting purposes and shall not be used for applications or activities that may cause or result in death, personal injury, animal damage or environmental damage.
2. When using this UVC product for indoor purification, please close doors and windows, keep indoor places clean and dry, and reduce dust and moisture.
3. We do not undertake or guarantee that the use of the products will protect any user from or prevent infection and/or contamination by any viruses, bacteria, protozoa, fungi, diseases.
4. High energy ultraviolet generating device is built in the equipment. Non-professionals are not allowed to disassemble the product. Direct exposure of ultraviolet rays to eyes or skin may cause injury. Maintenance personnel should wear professional UV protection goggles and skin protective devices before repairing the product.
5. The UV product is not intended and must not be used for medical purposes.
6. Except for, but not limited to, the exclusions or limitations of our liability set forth in any agreement regarding the sale, distribution or other supply of UVC lamps/fixtures/equipment, we accept no responsibility or liability for any claims or damages that may arise out of or in connection with any use of UVC lamps/fixtures/equipment in excess of their intended use or in violation of their installation and operation instructions (as described in the user manual and/or installation instruction documentation).