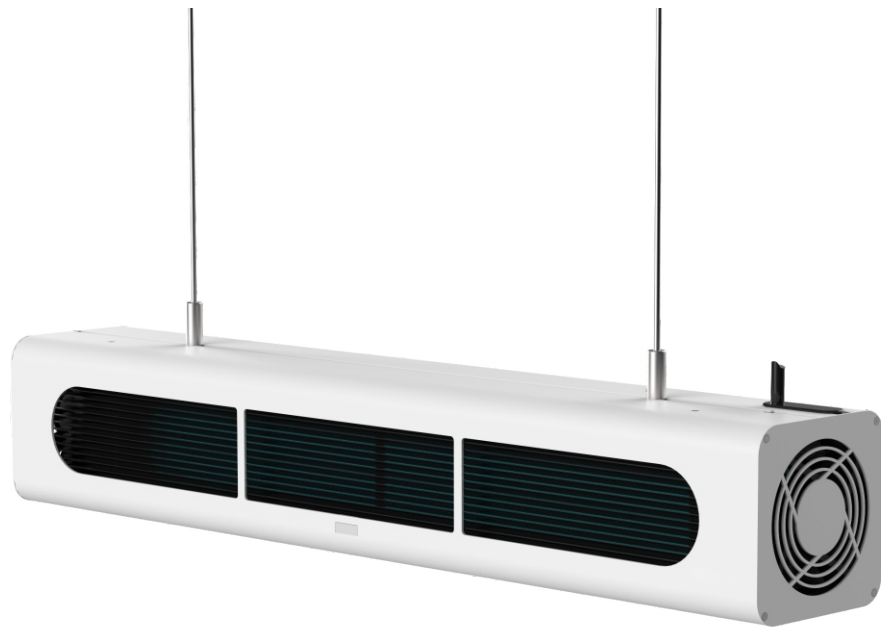
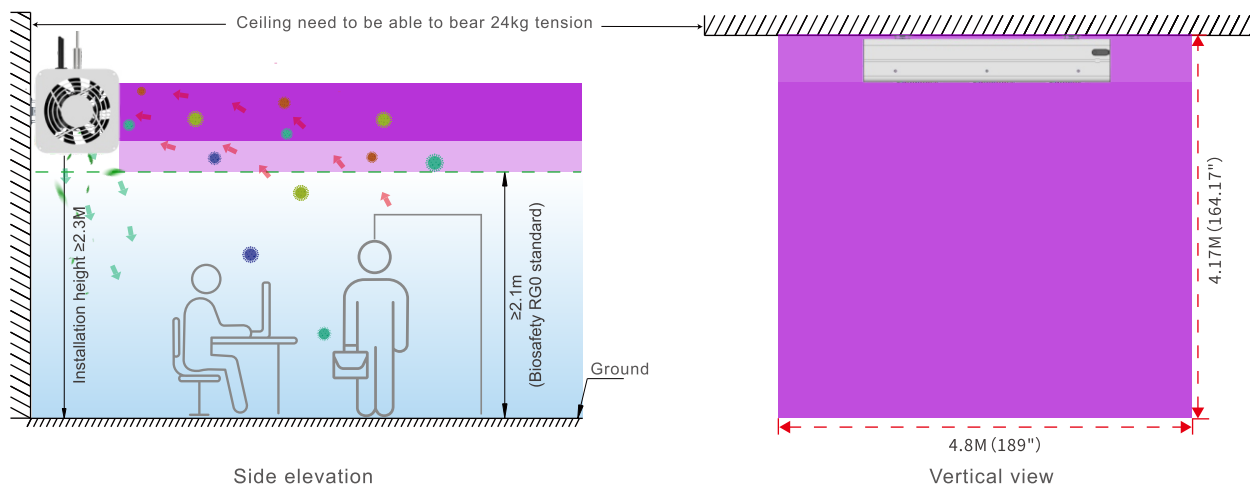


UVC SINGLE SIDE UPPER AIR PURIFICATION SYSTEM - GK Series U33-01



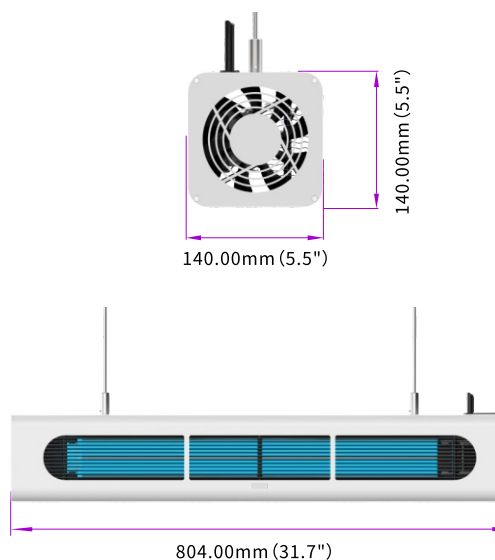
### Purification principle

There is an ultraviolet upper air radiation device inside, which forms a UVC upper layer of the space. The inside fan of device causes the indoor air convection effect to remove the fine particles floating in the air. bacteria and viruses rise to the UV flat radiation layer, and use the upper air radiation to purify viruses and bacteria.



### Product parameters

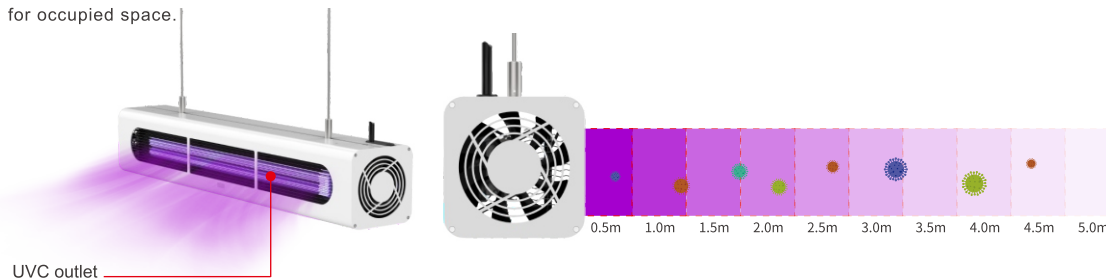
SPECIFICATIONS	
Model No.	U33-85W-01
Power	85W±13W
Input voltage	100-277V AC
Wave length	253.7nm
Radiation intensity(1m from the UVC tube)	170μW/cm <sup>2</sup> (Ambient temperature 25°C)
Noise(1 meter distance)	32.4dB
Tube type	75W H type quartz UV-C tube
UV Tube life span	>8000h
Air volume	76.4CFM
Working temperature	-5°C~+40°C
Product size	804mm*140mm*140mm
Warranty	Whole device:3 years, UVC tube:1 year



### Product features

#### 01 Parallel radiation on upper layer, occupied area:

The product is installed at the height of 2.3m at least, and the ultraviolet ray will be emitted in parallel through the built-in optical control plate, then achieve the result of no ultraviolet ray under 2.1m (European and American safety certification RG0 standard) for occupied space.



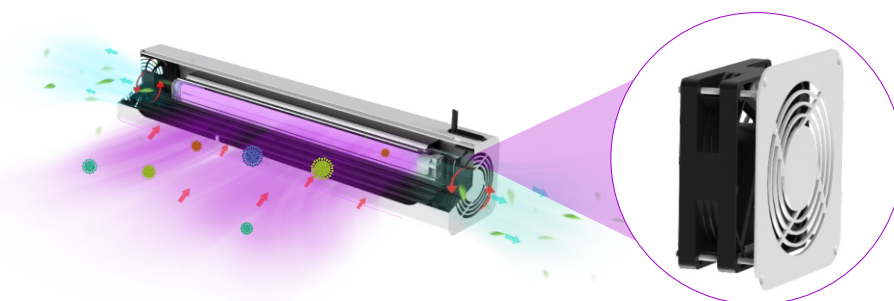
#### Test value of ultraviolet irradiance in the range of 0.5m~5m:

U33 Ultraviolet spectrum irradiance test value										
Test distance:	0.5m	1.0m	1.5m	2.0m	2.5m	3.0m	3.5m	4.0m	4.5m	5.0m
Value:	665.8 $\mu$ w/cm <sup>2</sup>	170 $\mu$ w/cm <sup>2</sup>	82.5 $\mu$ w/cm <sup>2</sup>	48.2 $\mu$ w/cm <sup>2</sup>	29.1 $\mu$ w/cm <sup>2</sup>	20 $\mu$ w/cm <sup>2</sup>	15.3 $\mu$ w/cm <sup>2</sup>	10.8 $\mu$ w/cm <sup>2</sup>	8.9 $\mu$ w/cm <sup>2</sup>	7.5 $\mu$ w/cm <sup>2</sup>

Note: This data comes from a third-party laboratory, the data is for reference only.

#### 02 Industrial fan improves purification efficiency:

With high quality industry fan of 70000H lifespan, for better ventilation, air inlet in the front and air outlet on the side, for more air flow to bring higher purification rate.



Fan only has one gear by default, air volume: 76.4CFM, noise: 32.4dB.

#### Based on 20m<sup>3</sup> lab testing:

Bacteria	Spatial scope	Killing time	Killing rate
staphylococcus albus	20m <sup>3</sup>	2h	>99.9%

Note: This data comes from a third-party laboratory, the data is for reference only.

#### Recommended application, purification volume & time:

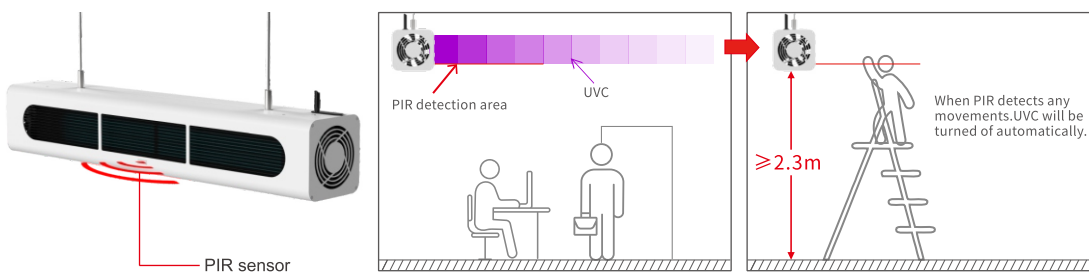
Category	Spatial scope	recommended purification time
Purification volume corresponding to a single product	52m <sup>3</sup>	>2h
Purification area corresponding to a single product	20m <sup>2</sup> (Irradiation size: 4.8*4.17m)	>2h

Note: Based on wall mounting installation in enclosed space, for detailed specs, please refer to the exact application; It is recommend to keep this device on always to purify the air.

### Product features

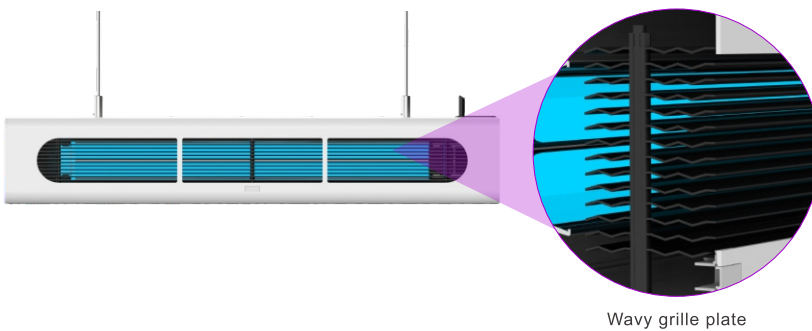
#### 03 Built-in PIR sensor:

1. PIR indicator "blue light" is always on after power on.
2. PIR indicator flashes every 1s when the PIR detects people, the corresponding fan and UVC lamp stop working. After detecting no one within 2 minutes, the light and fan will be turned on automatically. If PIR detects people within two minutes after the light is turned off, and the 2-minute countdown needs to be recalculated. When the UVC lamp is turned off or damaged, the PIR indicator "blue light" goes out.
3. PIR detection distance  $\geq 2m$ .



#### 04 Wave type patent target optical control technology:

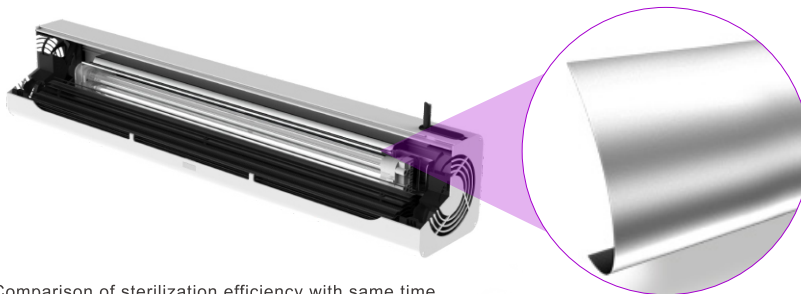
To guarantee parallel UVC irradiation in the upper air space for safety, at the same time make the device as small as possible.



Wavy grille plate

#### 05 Built-in mirror aluminum reflector to improve irradiation efficiency:

The built-in mirror aluminum diffuse reflection design reflects the ultraviolet light on the back to the irradiation area, which greatly improves the radiation intensity of ultraviolet light.



Comparison of sterilization efficiency with same time  
(Aluminum reflector or not):

Yes		118%
No		100%

### Product features

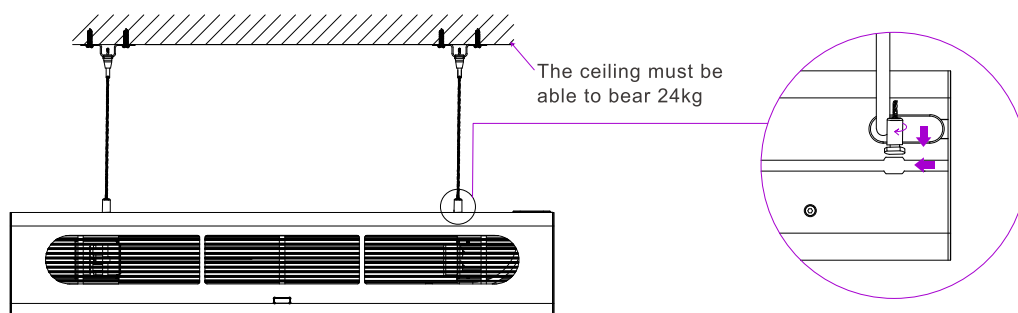
#### 06 Pull-out design, easy to replace the tube:

After removing the fan screw on one end of the power cord, the lamp and power module can be pulled out as a whole, which is convenient for lamp replacement and maintenance.

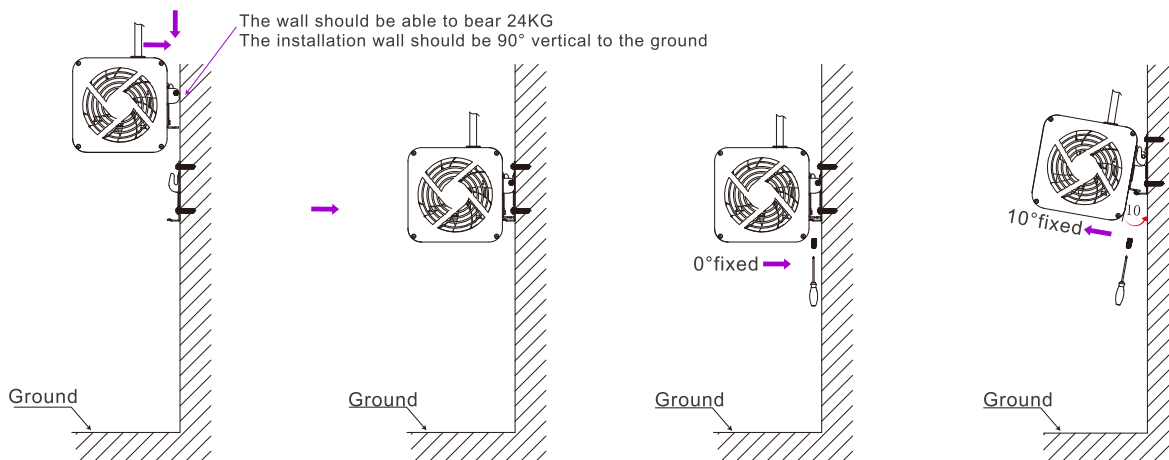


### Installation method

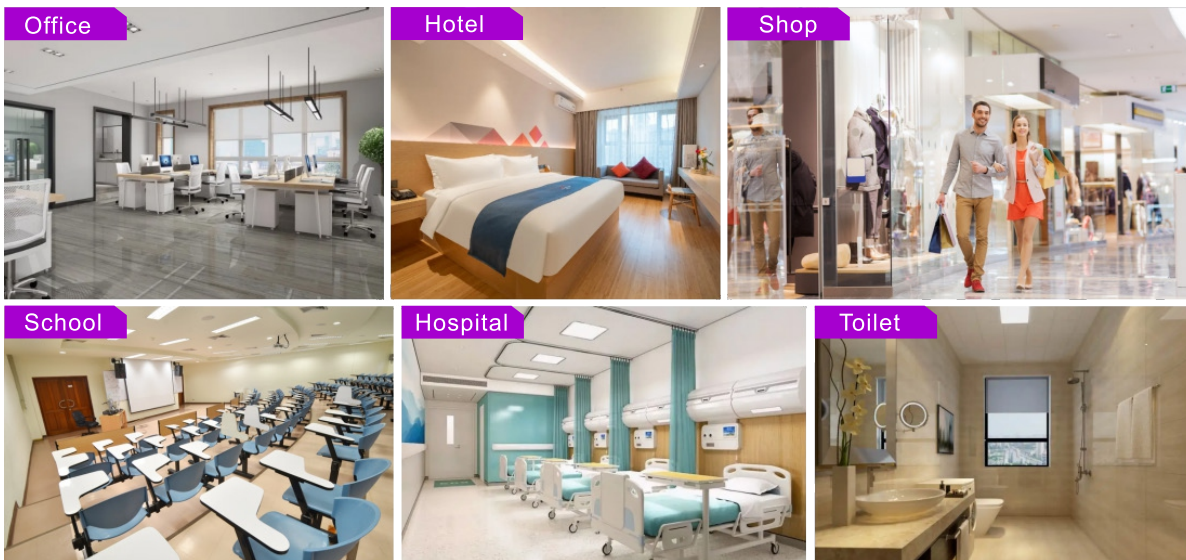
#### ● Wire hanging rope installation:



#### ● wall mount:



### Applications



Wall mounted or ceiling mounted,  
Most indoor places like Office, Food shop, Hotel, Hospital, School, Bank, Toilet, Etc.

### Packing

Model No.	NW per lamp (kg)(lbs=kgx2.2)	GW per lamp (kg)(lbs=kgx2.2)	G.W per carton (kg)(lbs=kgx2.2)	Install the bearing	Outer carton size (mm) (x0.0393=inch)	Quantity per carton
U33-85W-01	6.0kg	7.4kg	7.4kg	24kg	840*210*200mm	1pcs/Carton

S/N	Name	Qty
1	Fixture	1
2	Wire rope	1
3	Accessories package	1
4	User's Manual	1
5	Carton	1

### **Disclaimer:**

- 1.The ultraviolet rays of this product cannot be used for lighting purposes and in applications or activities which may cause and or lead to death, personal or animals injury and/or damage to the environment.
- 2.UV-C luminaires systems must only be sold and installed and replaced by professionals according to our stringent safety and legal requirements.
- 3.When using this UVC product for indoor, please close the doors and windows, keep the room clean and dry, and reduce dust and moisture.
- 4.When UVC is irradiated on the object for a long time, it will cause irreversible damage to the object that is not UV resistant, and the object may undergo chemical or physical changes, such as the plastic items that are not UV resistant will become brittle and breakable. When using this UVC product, if there are UV-sensitive items such as oil paintings, plants, and utensils that are within the range of the upper air UV radiation, they should be covered, otherwise, they may be aged or damaged.
- 5.The installation height of the UVC upper air device should refer to the user manuals and/or the mounting instructions. Within the range of ultraviolet radiation, if the wall or ceiling is a smooth reflective surface (such as mirrors, bright stainless steel, etc.), there is a risk that the ultraviolet rays will be reflected the safety area of below 2.1m.
6. We do not promise or warrant that the use of the Products will protect any user from or prevent infection and/or contamination with any viruses, bacteria, protozoa, fungi, illness or disease.
- 7.There is high efficiency UVC generating device inside. No disassemble and open it except the professionals, as it may cause injury when ultraviolet rays are directly exposed to eyes or skin. Maintenance personnel need to wear professional uv protection goggles and skin protection before repair.
- 8.The UVC Products are not intended for and must not be used for medical purposes.
- 9.In addition to and without limitation of any exclusions or limitations of liability of us as set forth in any agreement for the sale, distribution or otherwise making available of the UV-C lamp/fixture/devices, we shall have no responsibility or liability whatsoever for any claim or damage that may arise from or relate to any use of the UV-C lamp/ fixture/devices outside of their intended use or contrary to their installation and operation instructions, each as described in this document, the user manuals and/or the mounting instructions.
- 10.The product must be designated by the manufacturer's professional and technical personnel, other personnel are not allowed to dismantle or replace without authorization.

#### **Warnings and Safety:**

An UV-C lamp/fixture/device product breaking is extremely unlikely to have any impact on your health. If the UV-C quartz tube breaks, ventilate the room for 30 minutes and remove the parts, preferably with gloves. Put them in a sealed plastic bag and take it to your local waste facilities for recycling. Do not use a vacuum cleaner.