

Wattage: 45W



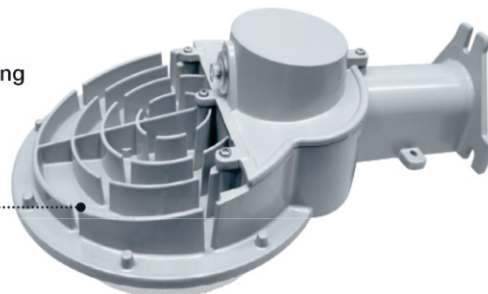
The Dusk to Dawn Light Series can be widely used in outdoor lighting (wet location). The Street Light Series can be widely used for museums, art galleries, underground parking lot, buildings, the lawn, industrial areas, residential areas, sidewalks, parking lot, schools and many more applications.



### FEATURES

- Lumileds LED, high luminous efficiency and long working life.
- High efficiency LED Driver, the wide range input voltage AC120-277V.
- Excellent Optics design, greatly improve the light utilization and evenness.

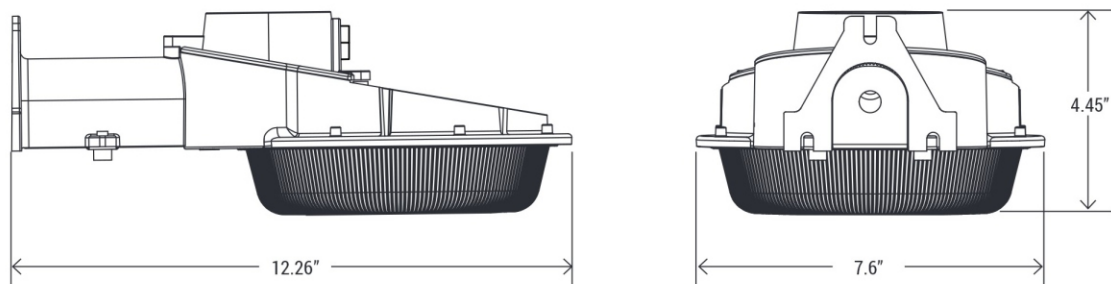
- Die Cast aluminium cooling design, high quality and better cooling for LED  $T_j < 85^{\circ}\text{C}$ .



|                     | SPECIFICATION            |
|---------------------|--------------------------|
| WATTAGE             | 45W                      |
| LUMEN               | 6300 Lm                  |
| EFFICACY            | 150 lm/W                 |
| CCT                 | 4000K, 5000K             |
| CRI                 | 70                       |
| INPUT VOLTAGE       | AC120-277V               |
| LIGHT ANGLE         | 124°                     |
| POWER FACTOR        | 0.98                     |
| DRIVER EFFICACY     | 90%                      |
| DIMMING             | 0-10V Dimming            |
| WORKING TEMPERATURE | -22°F ~ 113°F            |
| LIFESPAN (L70)      | 75,000 hours             |
| PROTECTION LEVEL    | Wet locations/IP65       |
| CABLE               | Input Connect(11.8 inch) |
| WARRANTY            | 5 year limited           |

**Wattage: 45W**

### DIMENSION



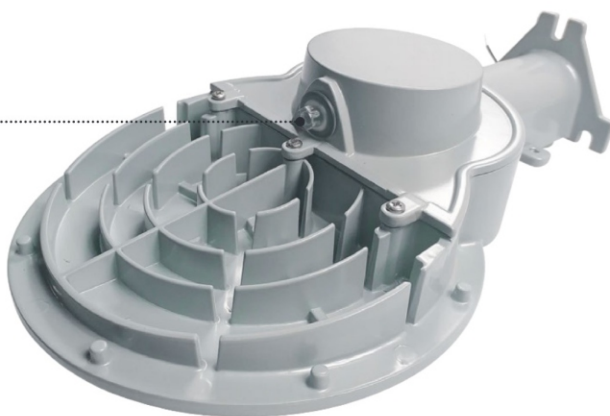
|                   |                       |
|-------------------|-----------------------|
| <b>WATTAGE</b>    | 45W                   |
| <b>GR. WEIGHT</b> | 2.65 lbs              |
| <b>BOX DIM.</b>   | 29.92" x 21" x 14.37" |

### PHOTOCELL



#### NPSM-LDQ

Used for indoor or outdoor LED lamps, working with light sensing principle, the NPSM-LDQ sensor (NPSM-LDQ for 120-277V) is used for Light sensor.



### ORDERING INFORMATION

EXAMPLE:

**WSD-45WDW27-50K-S-P**

| WSD               | 45W         | DW                | 27              | 50K                            | S                                 | P               |
|-------------------|-------------|-------------------|-----------------|--------------------------------|-----------------------------------|-----------------|
| PRODUCT           | WATTAGE     | PRODUCT           | VOLTAGE         | CCT                            | FINISH                            | CONTROL         |
| WSD (WSD LED INC) | 45W - (45W) | DW (Dusk to Dawn) | 27 - (120-277V) | 40K - (4000K)<br>50K - (5000K) | S - (Silver)<br>D - (Dark Bronze) | P - (Photocell) |

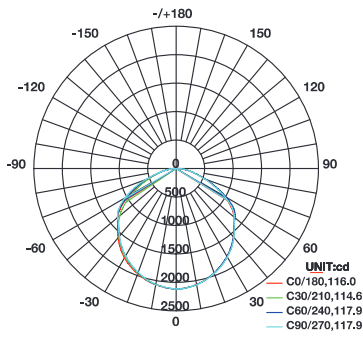
**Wattage: 45W**

### PHOTOMETRICS

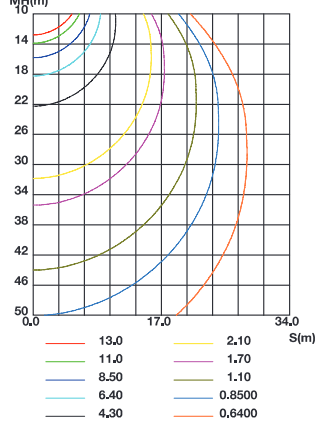
For complete IES files, please visit our website.

#### WSD-DW45W27-40K

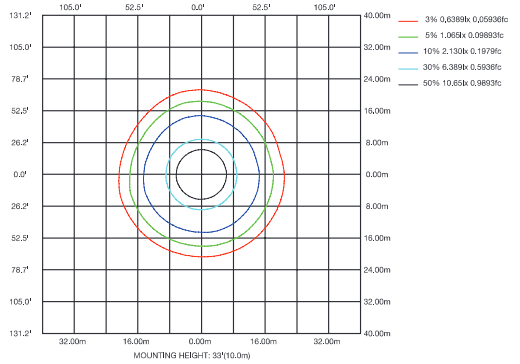
LUMINOUS INTENSITY DISTRIBUTION DIAGRAM



C0 PLANE ISOLUX DIAGRAM (UNIT:lx)

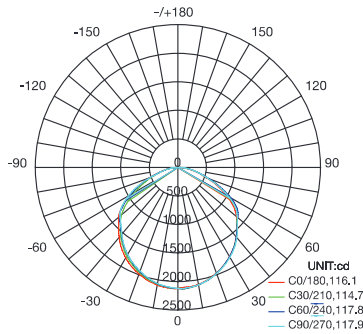


ISOLUX DIAGRAM

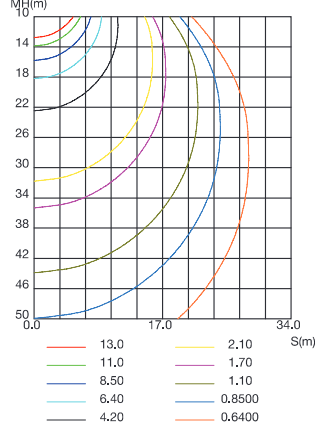


#### WSD-DW45W27-50K

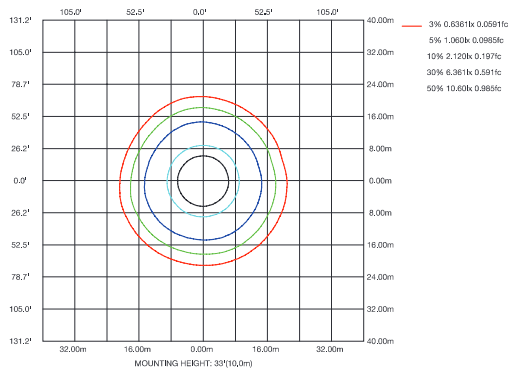
LUMINOUS INTENSITY DISTRIBUTION DIAGRAM



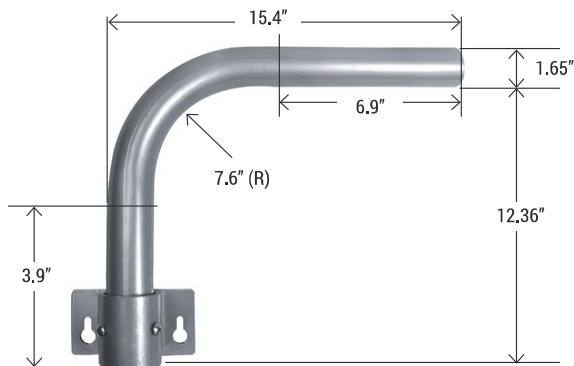
C0 PLANE ISOLUX DIAGRAM (UNIT:lx)



ISOLUX DIAGRAM



### MOUNTING OPTION (SOLD SEPARATELY)



Installation pipe Mainly used for Dusk To Dawn Light 45W installation. Place the lamp on the mounting arm and lock it. Another side use of professional tools to drill two screw holes in the mounting bracket (wall or other).