

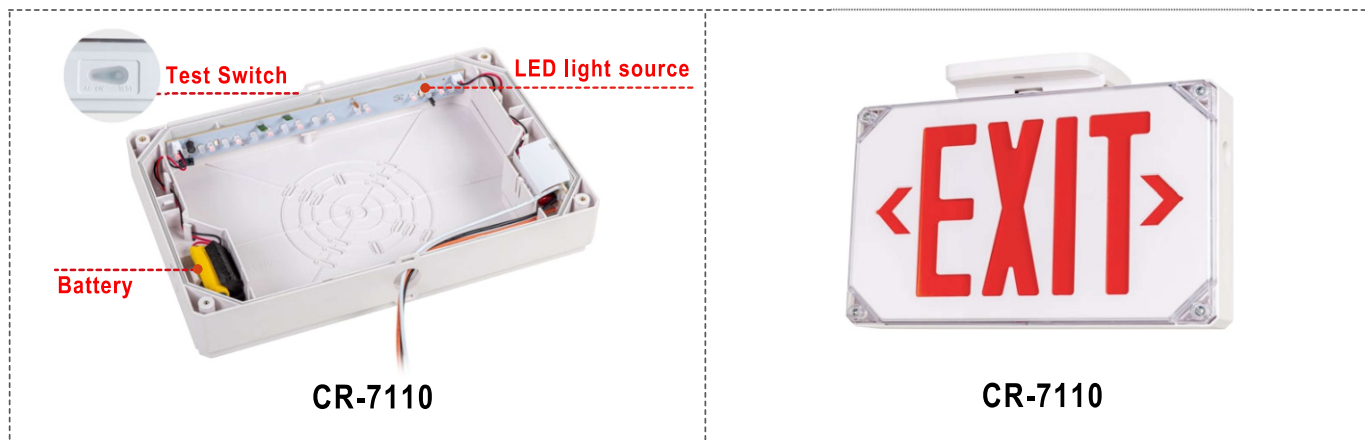
### TYPE: CR-7110

Wet Location LED Exit Sign accord with US STANDARD - Injection-molded, flame-retardant and high impact thermoplastic housing. This exit sign with design is great for placing on doorways, isles, restaurant, office building and warehouses.



CR-7110

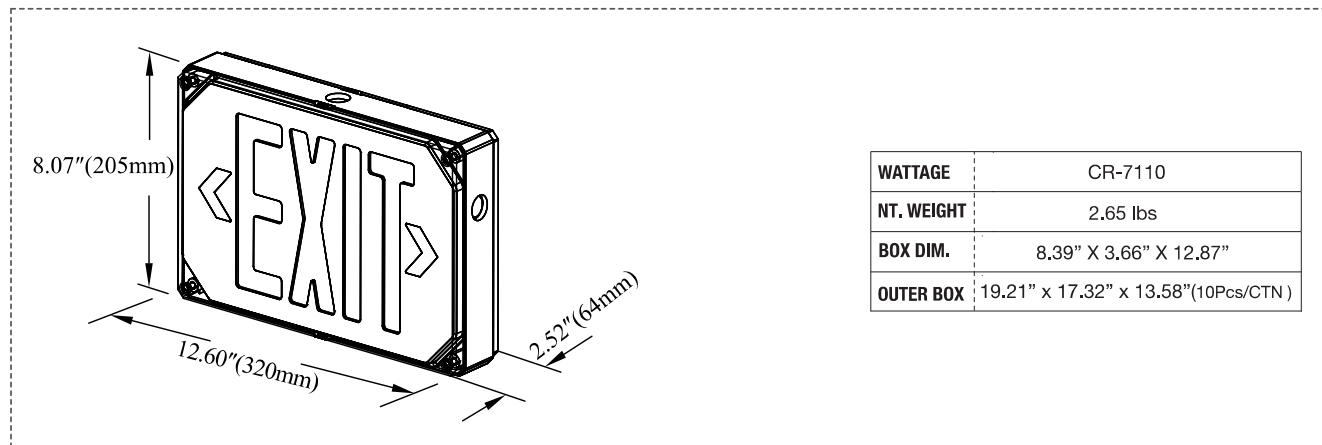
#### PRODUCT DISPLAY:



SPECIFICATION	
TYPE	CR-7110
WORKING VOLTAGE	120 / 277V 60Hz
INPUT RATING	2.0W 150mA
FACTORY SETTING	Double-Face free parts in package
BATTERY	3.6V NiCad Battery
COLOUR	Red, Green Color In One
EMERGENCY DURATION	90 Mins
RECHARGE TIME	24 Hours
PROTECTION LEVEL	Wet Locations / IP65
OPERATION TEMPERATURE	0°C ~ 40°C
CERTIFICATION	UL
FINISH	White
DIMENSION	320X64X205mm
CABLE	Input Connect, No cable
WARRANTY	2 year limited

### TYPE: CR-7110

#### DIMENSION:



#### ORDERING INFORMATION

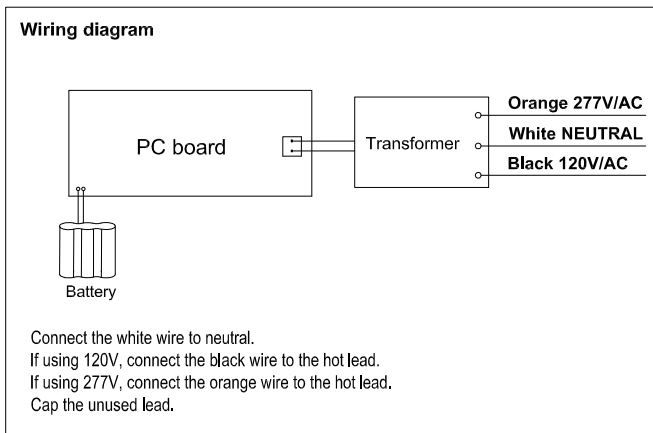
EXAMPLE:

**CR-7110**

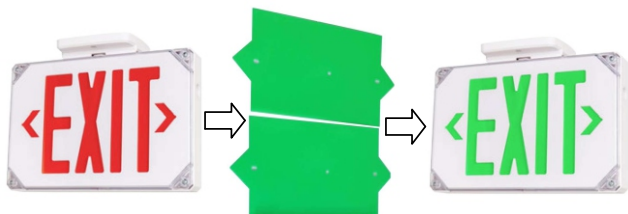
<b>CR</b>	<b>7110</b>
CODE	CODE

WSD LED      7110  
Product Code

#### WIRING DIAGRAM:



#### PRODUCT ACCESSORIES: (Standard)



EXTRA TWO GREEN FILMS TO BE GREEN EXIT SIGN

EXTRA ONE FOR DOUBLE SIDE

#### MOUNTING ACCESSORIES: (Standard)



### TYPE: CR-7110

#### INSTRUCTIONS :

##### Open front cover

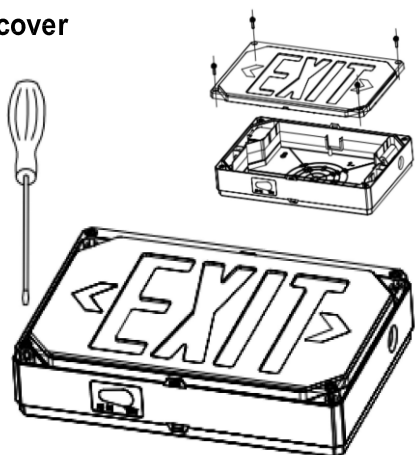


Fig 1

##### Wall mount : See "Important Safeguards" for installations in outdoor applications

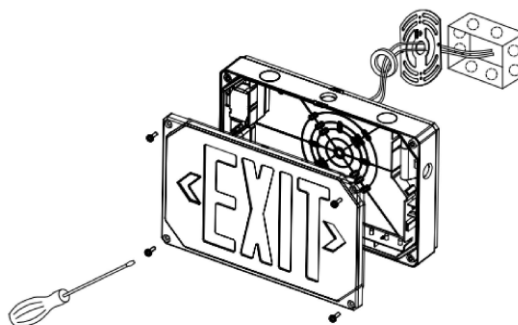


Fig 2

##### Side mount : See "Important Safeguards" for installations in outdoor applications

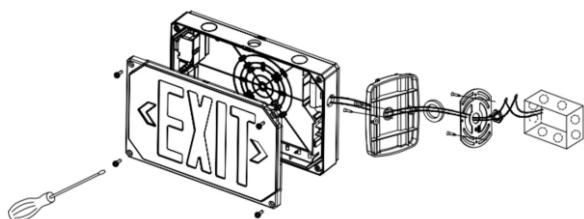


Fig 3

##### Ceiling mount : See "Important Safeguards" for installations in outdoor applications

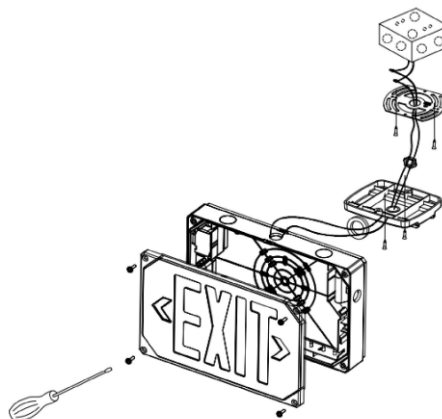


Fig 4

##### Canopy assembly

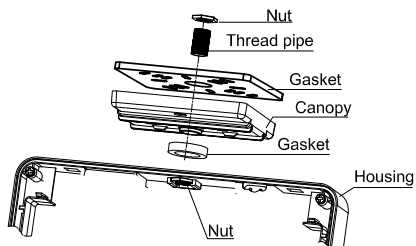


Fig 5

Use provided thread pipe and 2 nut fix canopy on unit, put gasket between unit and canopy.