

### Hourglass Post Top Light



MODEL #	
PROJECT:	
NOTES:	
DATE:	
PREPARED BY:	

#### PRODUCT FEATURES:

- ❖ Optical design, greatly improved the light utilization and evenness.
- ❖ High efficiency LED Driver.
- ❖ Cast Aluminum design, better cooling, light quality, LED Tj < 85°C.
- ❖ Excellent efficacy ≥ 140lm/w.
- ❖ 0-10V Dimming.

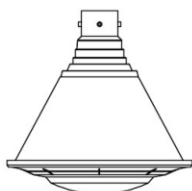
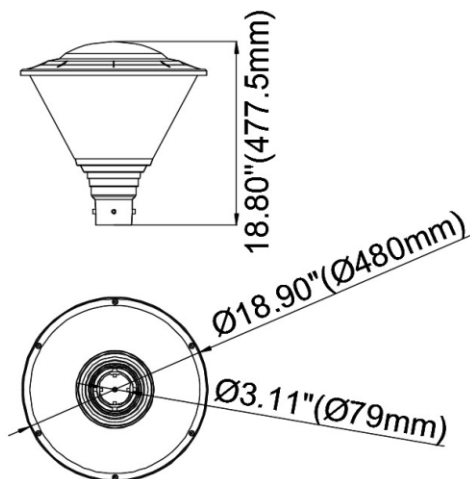
#### Additional Information:

- Power: 60W
- Input: AC 120-277V
- CCT : 4000K/5000K
- Light Source: SMD 2835 LEDs
- Driver: KERHAM POWER



#### PRODUCT APPLICATIONS:

The Hourglass Post Top Light LED Lighting Series can be widely used for Outdoor (Wet Location) Excellent for Lawns, Courtyards, Roadways and many other applications.



#### Structure Features:

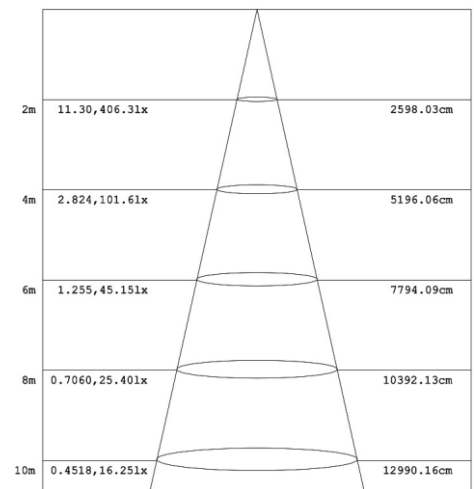
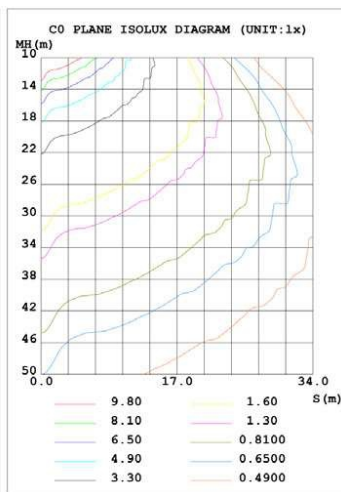
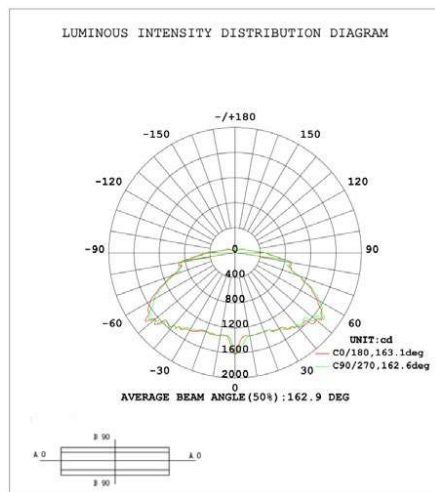
- Shell Materials: Aluminum & PC
- Finish: Dark Bronze/White/black/Silvery(Option)
- Net Weight: 5.63KG (12.4LBS)
- **Product Size: 480mmX477.5mm**  
18.9"x18.8"
- **Carton Size: 485mmX485mmX480mm**  
19.09"x19.09"x18.9"

## LED HOURGLASS POST TOP LIGHT - WSD Series 60W

### TECHNICAL PARAMETERS:

Type	WSD-HPT06W27-XXK-Z-E-G2		
Power	60W	Lighting Angle	162°
Input Voltage	AC120-277V	LED Brightness Decay	<5%/6000 hrs
PF	≥0.90	Working Life	>75000 hrs
Driver Efficiency	≥87%	Working Temperature	-30 - +45°C
Luminous Flux	8010 Lm	Storage Temperature	-40 - +80°C
Color Temperature	4000K/5000K	Protection Level	Wet Location
CRI	Ra>70	Cable	3core, 18AWG (19.69 inch)

### PHOTOMETRY:



### ORDERING EXAMPLE: WSD-HPT06W27-XXK-Z [D, W, B, S] -E [blank, M] -G2

WSD	HPT	06W	27	XXK	Z	E
Company	Product	Power	Voltage	ColorTemp	FINISH	Control
<b>WISDOM</b>	<b>HPT</b> Hourglass Post Top Light	<b>06W</b> (60W)	AC120-277V	<b>40K</b> (4000K) <b>50K</b> (5000K) ± <b>500K</b>	<b>D</b> (Dark Bronze) <b>W</b> (White) <b>B</b> (Black) <b>S</b> (Silvery)	<b>M</b> <b>Motion Sensor</b>