

ROUND POST TOP LIGHT



PRODUCT FEATURES:

- ❖ Optical design, greatly improved the light utilization and evenness.
- ❖ High efficiency LED Driver.
- ❖ Cast Aluminum design, better cooling, light quality, LED Tj < 85°C.
- ❖ Excellent efficacy ≥ 120lm/w.

MODEL #	
PROJECT:	
NOTES:	
DATE:	
PREPARED BY:	

Additional Information:

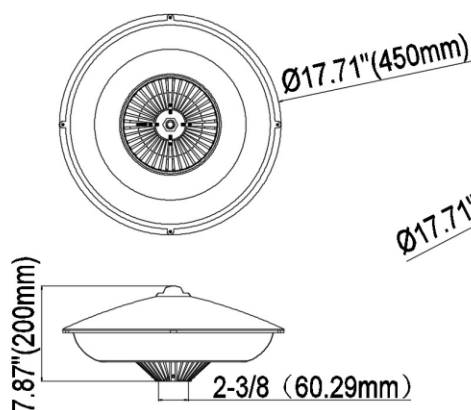
- Power: 60W
- Input: AC 120-277V
- CCT : 4000K/5000K
- Light Source:SMD 2835 LEDs
- Driver: KERHAM POWER



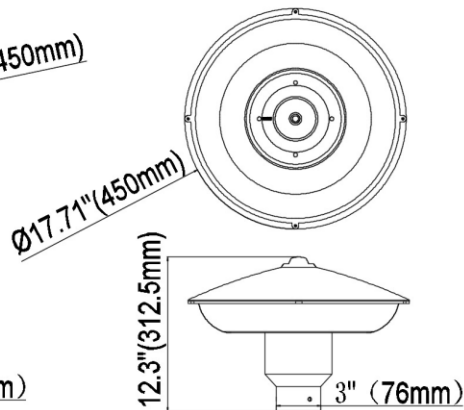
PRODUCT APPLICATIONS:

The Round Post Top LED Lighting Series can be widely used for Outdoor (Wet Location) Excellent for Lawns, Courtyards, Roadways and many other applications.

2-3/8 inch Pole



3 inch Pole



Structure Features:

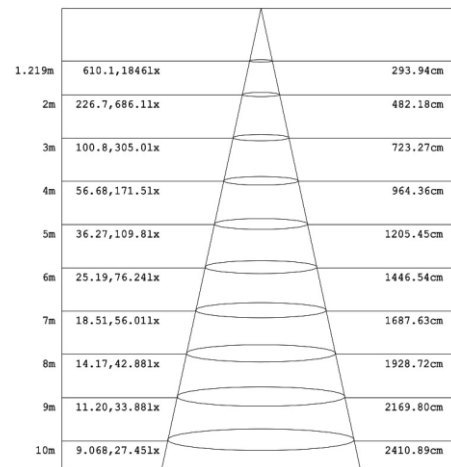
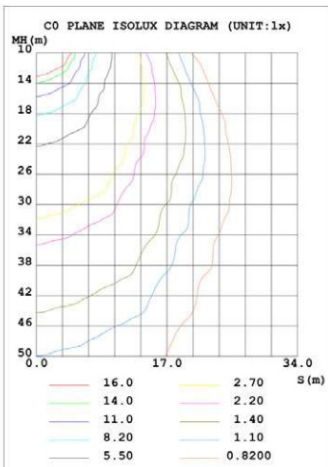
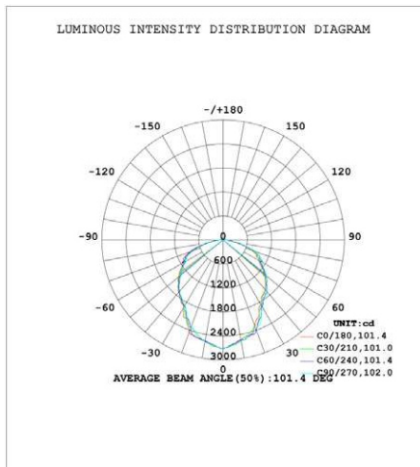
- Shell Materials: Aluminum & PC
- Finish: Dark Bronze/White/black(Option)
- Net Weight: 5.13KG (11.3 LBS)
- **Product Size: 450mm*200mm**
- **Carton Size: 455mm*455mm*240mm**

ROUND POST TOP LIGHT

TECHNICAL PARAMETERS:

Type	WSD-RPT06W27-XXK-Z-U-G2		
Power	60W	Lighting Angle	101°
Input Voltage	AC120-277V	LED Brightness Decay	<5%/6000 hrs
PF	>0.90	Working Life	>75000 hrs
Driver Efficiency	>87%	Working Temperature	-30 - +45°C
Luminous Flux	8520 Lm	Storage Temperature	-40 - +80°C
Color Temperature	4000K/5000K	Protection Level	Wet Location
CRI	Ra>70	Cable	3core,18AWG (19.69 inch)

PHOTOMETRY:



ORDERING EXAMPLE: WSD-RPT06W27-XXK-Z [D,W,B,S] -U [I2,I3] -G2

WSD	RPT	06W	27	XXK	Z	U
Company	Product	Power	Voltage	ColorTemp	FINISH	Mounting Mean
WSD LED INC	RPT Round Post Top Light	06W(60W)	27 AC120-277V	40K (4000K) 50K (5000K) ± 500K	D (Dark Bronze) W (White) B (Black) S (Silvery)	I2 2.5-inch adapter I3 3-inch adapter