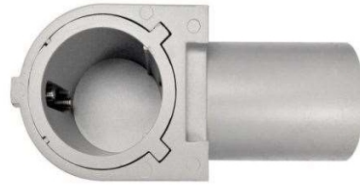
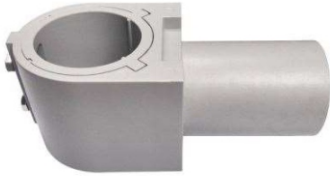


ROUND POST TOP ADAPTOR - WSD Series



Order Number:

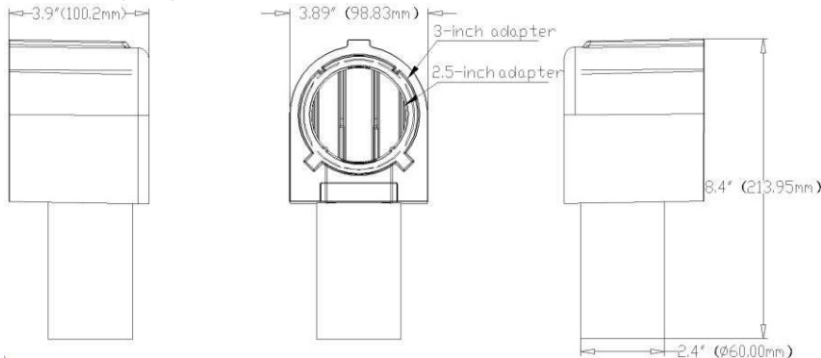
- WSD-ADP25-30-S Sliver
- WSD-ADP25-30-W White
- WSD-ADP25-30-D Dark Bronze

MOUNTING

- LED Street Light connector Provide two different installation methods:
- 1、 2.5 inch installation.
- 2、 3 inch of installation.

1.Specifications

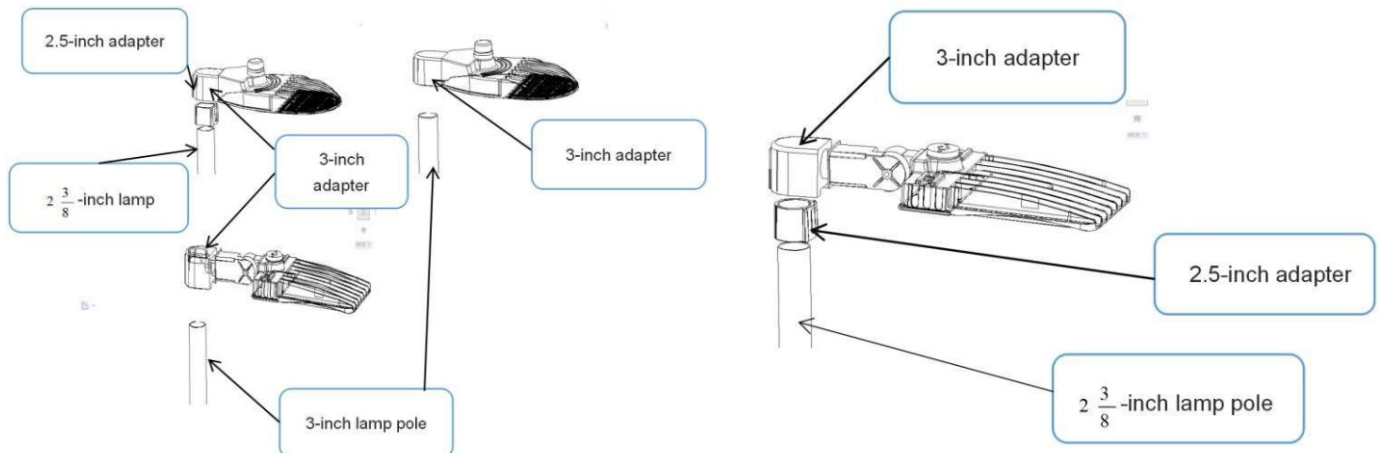
Unit : inch(mm)



Structure Features

- Shell materials: Die casting aluminum
- Finish: Silver/Dark Bronze/White
- Net weight : 1.75Kg (3.86 lbs)
- Product Size:213,95mm*98,83mm*100,2mm
- Carton Size:220mm*114mm*114mm

2.Installation diagram



3. inches of installation Put the adapter on the 3-inch lamppost