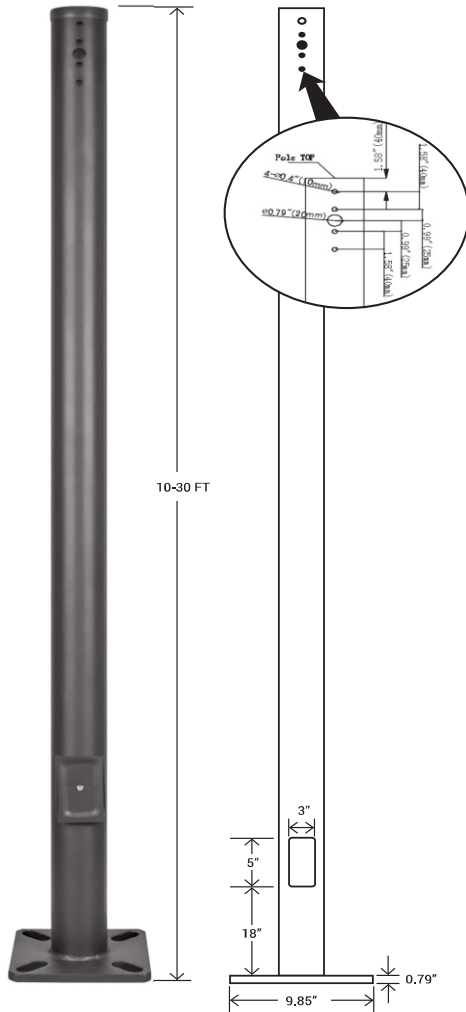


## STRAIGHT ROUND ALUMINUM POLES - WSD Series



The WSD LED INC Series Round aluminum poles are built from high strength aluminum Round tube and are available side drilled for arm mounted area lighting luminaires or with tenon mounts for flood and post top luminaires. Typical area lighting applications include retail centers, industrial parks, schools and universities, public transit and airports, office buildings and medical facilities. Mounting heights of 10 to 30 feet can be used based on selected luminaire application.

### Specifications and Features: Pole

**(Accessories need to purchased separately)**

#### Specifications:

The pole shaft is extruded from seamless 6061-T6 aluminum. Conforms to ASTM F1554 Grade 55.

#### Finish:

Textured Architectural Bronze Powdercoat Finish, Baked to Ensure Maximum Paint Adhesion, Hardness and Durability.

#### Anchor Bolts:

Anchor Bolts are not Included, Sized Based on Pole Data Charts for the Selected Pole Size.

#### Base Cover:

Poles are Provided With a Two-Piece Formed aluminum Base Cover that is Easily Assembled and Fitted Over Pole Base.

#### Pole Length:

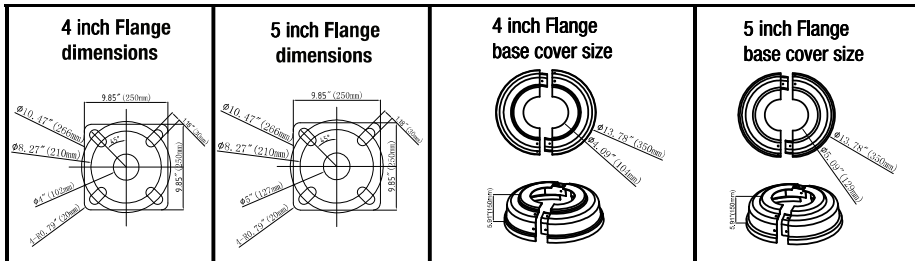
Poles are Available in Standard Lengths as Shown in the Order Matrix. Poles can be Custom Cut to Order. Consult Factory.

#### Mounting Options:

Standard Length Poles Include 2 3/4" OD Tenon, Side Drilled 2@180 Degrees, Polycarbonate Top Cover and Hole Plugs for Unused Drilling Locations.

Cut To Order Poles can be Side Drilled for 2@180 Degrees, Includes Polycarbonate Top Cover and Hole Plugs for Unused Drilling Locations.

Cut To Order Poles May Also Be Ordered With 2 3/4" OD Tenons for Use With Post Top Decorative Luminaires, Flood/Area Slip Fitter Fixtures, or Any of a Wide Variety of Pole Top Mounting Accessories.



## Specifications:

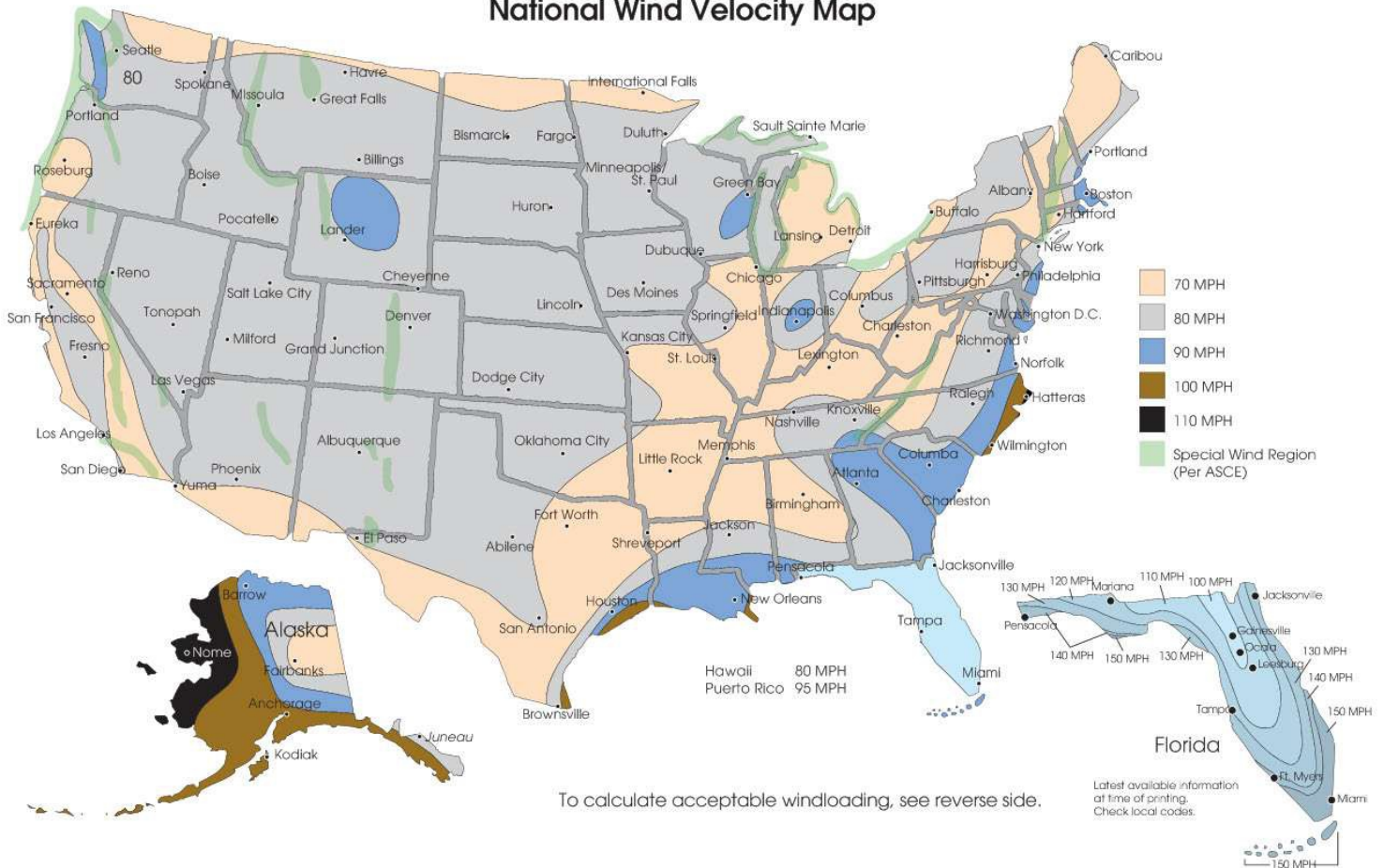
Specification type	10FT	15FT	20FT	25FT	30FT
WSD-RAL10FT4-125-D	L=3.0 (m)	L=4.6 (m)	L=6.1 (m)	L=7.6 (m)	L=9.1 (m)
WSD-RAL15FT4-125-D					
WSD-RAL20FT4-125-D					
WSD-RAL25FT5-255-D					
WSD-RAL30FT6-255-D					

## STRAIGHT ROUND ALUMINUM POLES - WSD Series

### Dimension data:

Catalog #	Mt. height	Wall thickness	Shaft size	Bolt size	Pole weight	EPA 80	EPA 90	EPA 100	EPA 110	EPA 120
WSD-RAL10FT4-125-D	10 ft.	0.125 in.	4x4 in.	M0.75"X19.69"X3.94"	35 lbs.	14.5	12.3	9.9	8.3	7.8
WSD-RAL15FT4-125-D	15 ft.	0.125 in.	4x4 in.		37 lbs.	8.3	6.1	5.4	4.8	3.9
WSD-RAL20FT4-125-D	20 ft.	0.125 in.	4x4 in.		72 lbs.	4.2	3.6	2.5	1.9	1.3
WSD-RAL25FT5-255-D	25 ft.	0.255 in.	5x5 in.		136 lbs.	9.3	7.2	6.2	5.2	4.6
WSD-RAL30FT6-255-D	30 ft.	0.255 in.	6x6 in.	M0.75"X36"X4"	189 lbs.	11.1	8.0	6.7	4.7	3.4

### National Wind Velocity Map



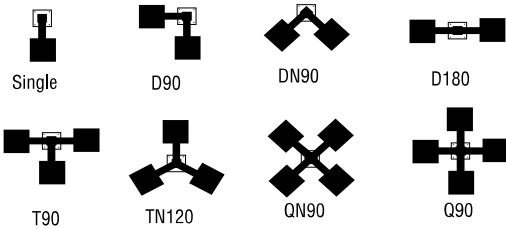




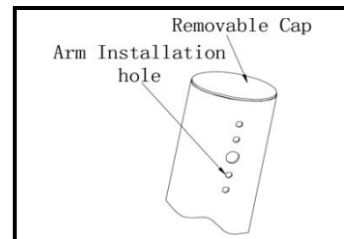
### ORDERING EXAMPLE: WSD-RAL10FT4-125-D

WSD	RAL	10FT	4	125	D
Company	Product	Height	Size	Wall Thickness	Finish
WSD LED INC	Round aluminum pole	10FT (3.0M)	4 (4inch) 5 (5inch) 6 (6inch)	125 (0.125inch) 255 (0.255inch)	D Dark Bronze
		15FT (4.6M)			
		20FT (6.1M)			
		25FT (7.6M)			
		30FT (9.1M)			

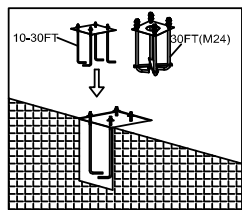
### Fixture Configurations:



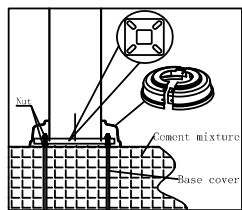
### Light pole top:



### Installation:

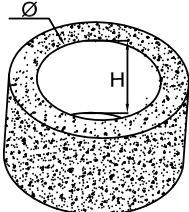


1. Dig a hole in the installation position of the lamp pole. Fixed four fastener fittings according to the hole position of lamp pole and poured with cement concrete. (as shown in the figure)

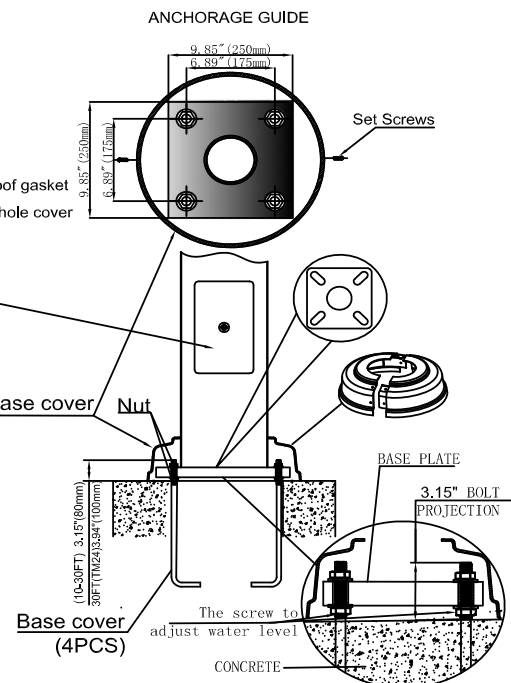


2. Install 4 screws onto the stick and adjust to same water level, then place the square plate and screw tightly. Install the cover at the bottom of pole. (as shown in the figure)

Foundation reference specification



Reference design of Concrete size		
Specifications	Ø	H
10-15FT	31.5"(800mm)	59.1"(1500mm)
20-25FT	35.4"(900mm)	70.9"(1800mm)
30FT	35.4"(900mm)	82.7"(2100mm)



**Foundation Design:** We offer Foundation design references due to variations in soil structure across different areas, and we do not assume any responsibility for this variability.