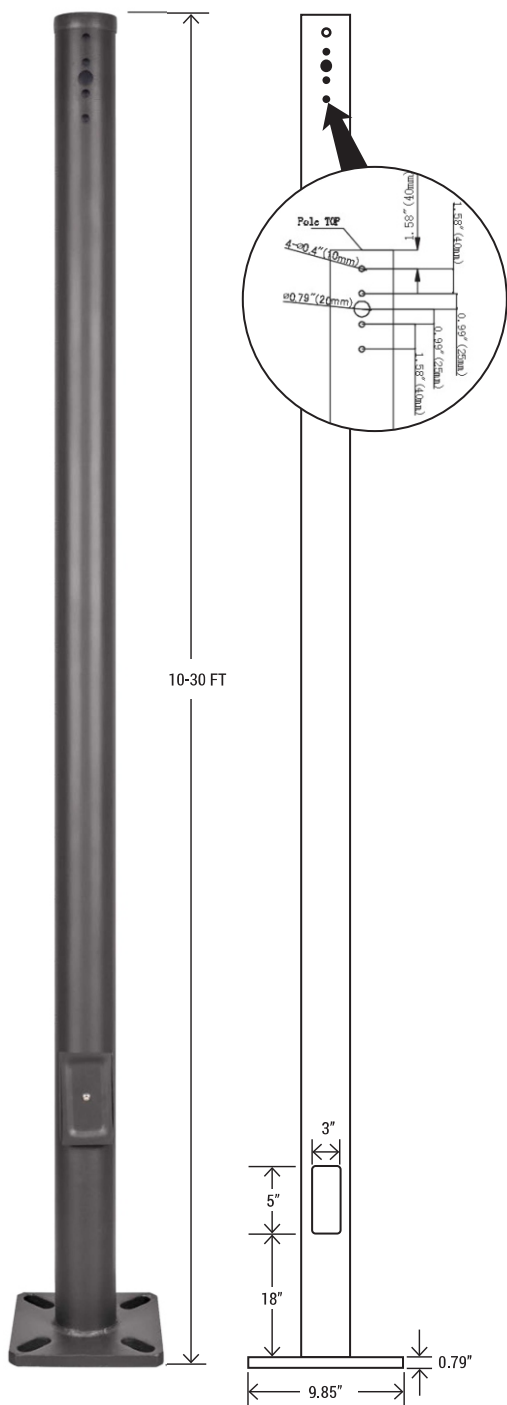


Size: 3" (3" dia.), 4" (4" dia.), 5" (5" dia.)

**(NOTE: BASE COVER, ANCHOR KIT, POSITION PLATE & ACCESSORIES SOLD SEPARATELY)**



The WSD LED INC Series Straight Round Steel poles are built from high strength steel tube and are available side drilled for arm mounted area lighting luminaires or with tenon mounts for flood and post top luminaires. Typical area lighting applications include retail centers, industrial parks, schools and universities, public transit and airports, office buildings and medical facilities. Mounting heights of 10 to 30 feet can be used based on selected luminaire application.

### FEATURES

#### FINISH:

Textured architectural bronze powder-coat finish, baked to ensure maximum paint adhesion, hardness and durability.

#### ANCHOR BOLTS:

Anchor bolts are not included, sized based on pole data charts for the selected pole size.

#### HAND HOLE:

Cast iron reinforced hand hole and cover with ground screw.

#### BASE COVER:

Poles are provided with a two-piece formed steel base cover that is easily assembled and fitted over pole base.

**SURFACE TREATMENT:** Hot-dip galvanizing.

#### POLE LENGTH:

Poles are available in standard lengths as shown in the order matrix. Poles can be custom cut to order. Consult factory.

**SPECIFICATIONS:** Conforms to ASTM-A 500 Grade B: Minimum Yield Strength of 46,000 PSI.

SPECIFICATION	10FT	15FT	20FT	25FT	30FT
WSD-R10FT3-11G-D					
WSD-R15FT4-11G-D					
WSD-R20FT4-11G-D	L = 3.0 (m)	L = 4.6 (m)	L = 6.1 (m)	L = 7.6 (m)	L = 9.1 (m)
WSD-R25FT4-11G-D					
WSD-R30FT5-11G-D					

### MOUNTING OPTIONS



**SIDE MOUNT:** Standard length poles are predrilled (2@180°), with a polycarbonate top cover and hole plugs for unused predrilled locations.

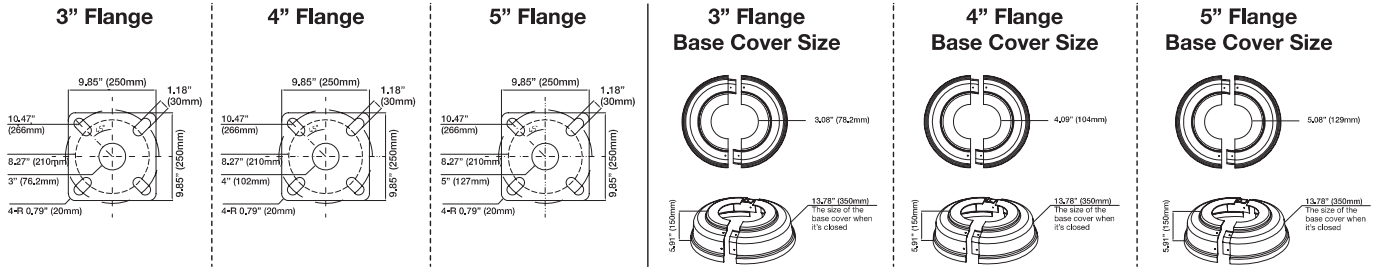
**Note:** When using Arm or Slip-Fitter Mounts, additional installation parts may be required to ensure proper installation. (example: Round Bar Adapter with Arm Mount or Horizontal Tenon Arc Adapter with Slip-Fitter Mount) [see: additional installation parts for more options](#)

**TOP MOUNT:** Round Pole Tenon Adapters (optional) can be installed for a use with a Slip-Fitter or Multi-Fixture installation requiring Bullhorns, Spokes etc. (3"RND, 4"RND and 5"RND to 2 3/8" Round Tenon Adapters available)

## STRAIGHT ROUND STEEL POLES - WSD Series

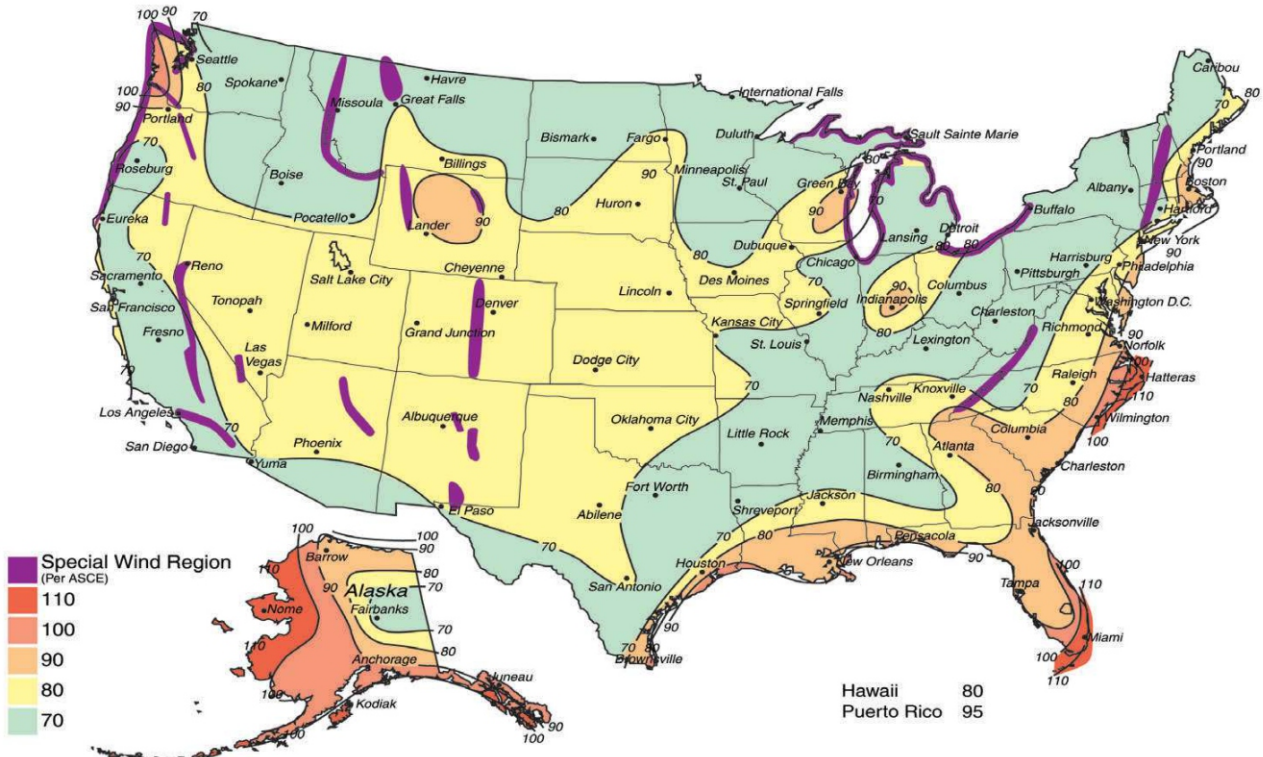
Size: 3" (3" dia.), 4" (4" dia.), 5" (5" dia.)

### DIMENSION



### DIMENSION DATA

CATALOG	HEIGHT	GAUGE	SIZE	BOLT SIZE	WEIGHT (LBS)	EPA 70	EPA 80	EPA 90	EPA 100	EPA 110	EPA 120
WSD-R10FT3-11G-D	10ft	11	3" dia.	M0.75"X 19.69"X 3.94"	72	26.2	22.5	20.1	16.4	11.3	9.6
WSD-R15FT4-11G-D	15ft		95		17.8	14.6	12.3	10.9	8.2	6.4	
WSD-R20FT4-11G-D	20ft		143		11.9	9.1	8.8	6.8	5.5	3.8	
WSD-R25FT4-11G-D	25ft		176	10.9	7.9	6.7	5.3	4.6	3.1		
WSD-R30FT5-11G-D	30ft		242	M0.75"X 19.69"X3.94"/ M0.95"X 36"X4"	8.5	6.6	5.7	4.2	3.2	2.1	



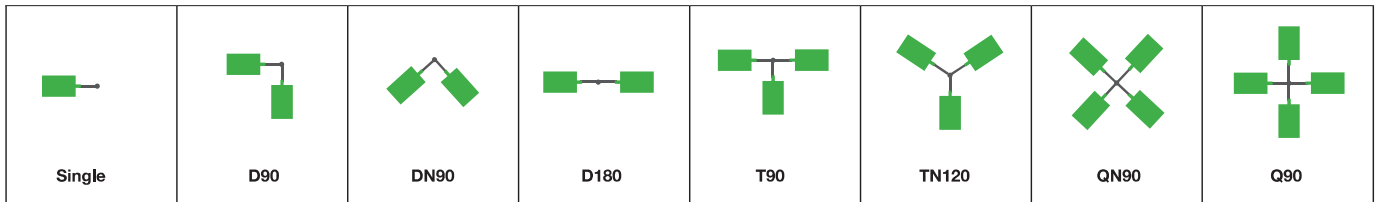
Size: 3" (3" dia.), 4" (4" dia.), 5" (5" dia.)

### ORDERING INFORMATION

EXAMPLE: **WSD-R10FT3-11G-D**

WSD	R	10FT	3	11G	D
COMPANY	MOUNTING	HEIGHT	SIZE	THICKNESS	FINISH
WSD LED INC	R - (Round Steel Pole)	10FT - (3.0 M) 15FT - (4.6 M) 20FT - (6.1 M) 25FT - (7.6 M) 30FT - (9.1 M)	3 - (3" diameter) 4 - (4" diameter) 5 - (5" diameter)	11G - (11 gauge)	D - (Dark Bronze)

### FIXTURE CONFIGURATIONS



### INSTALLATION

10-30FT  
30FT(M24)

Foundation reference specification

1. Dig a hole in the installation position of the lamp pole. Fixed four fastener fittings according to the hole position of lamp pole and poured with cement concrete. (as shown in the figure)

2. Install 4 screws onto the stick and adjust to same water level, then place the square plate and screw tightly. Install the cover at the bottom of pole. (as shown in the figure)

**ANCHORAGE GUIDE**

9.85" (250mm)  
6.89" (175mm)  
9.85" (250mm)  
6.89" (175mm)

Set Screws

3"X5" HAND HOLE COVER

Pole  
Waterproof gasket  
Hand hole cover

Flange base cover  
Nut

BASE PLATE  
3.15" BOLT PROJECTION

The screw to adjust water level

CONCRETE

Base cover (4PCS)

Reference design of Concrete size

Specifications	Ø	H
10-15FT	31.5"(800mm)	59.1"(1500mm)
20-25FT	35.4"(900mm)	70.9"(1800mm)
30FT	35.4"(900mm)	82.7"(2100mm)

**Foundation Design:** We offer Foundation design references due to variations in soil structure across different areas, and we do not assume any responsibility for this variability.

## STRAIGHT ROUND STEEL POLES - WSD Series

Size: 3" (3" dia.), 4" (4" dia.), 5" (5" dia.)

### SQUARE EXTERNAL MOUNT HORIZONTAL TENON

• To mount 2/3/4 fixtures on an existing pole

**Low Profile Bullhorn with 3 Tenons**  
**WSD-VTS4R-3T-D**  
 MAX EPA: 1,6  
 Finish: Dark Bronze  
 The Bracket is designed to mount over 2-3/8" O.D. vertical tenon.

**Triple 120° Horizontal Tenon Adapter**  
**WSD-QT120-3T-D**  
 MAX EPA: 1,4  
 Finish: Dark Bronze  
 The Bracket is designed to mount over 2-3/8" O.D. vertical tenon.

**Low Profile Bullhorn with 2 Tenons**  
**WSD-VTS4R-2T-D**  
 MAX EPA: 1,0  
 Finish: Dark Bronze  
 The Bracket is designed to mount over 2-3/8" O.D. vertical tenon.

**Quad 90° Horizontal Tenon Adapter**  
**WSD-QT90-4T-D**  
 MAX EPA: 1,6  
 Finish: Dark Bronze  
 The Bracket is designed to mount over 2-3/8" O.D. vertical tenon.

### WALL BRACKET

• Attaches to any flat surface • Provides wiring access

### MID-POLE TENON BRACKET

**90° Wall Mount Bracket with 2-3/8" O.D. Tenon**  
**WSD-ADP2.5-90-D**  
 MAX EPA: 0,6  
 Finish: Dark Bronze  
 The 90° wall mount bracket with 2-3/8" tenon attaches flood and area fixtures to almost any surface: wall, roof, or wood pole. Provides wiring access and a built-in 2-3/8" O.D. tenon to mount a fixture with our adjustable slip-fitter. Suggested 3/8" diameter bolts for mounting.

**180° Wall Mount Bracket with 2-3/8" O.D. Tenon**  
**WSD-ADP2.5-180L3.9-D**  
 MAX EPA: 0,5  
 Finish: Dark Bronze  
 The 180° wall mount bracket with 2-3/8" tenon attaches flood and area fixtures to almost any surface: wall, roof, or wood pole. Provides wiring access and a built-in 2-3/8" O.D. tenon to mount a fixture with our adjustable slip-fitter. Suggested 3/8" diameter bolts for mounting.

**2-3/8" OD Horizontal Tenon Mid-Pole Bracket**  
**WSD-ADP2.5-D**  
 MAX EPA: 0,3  
 Finish: Dark Bronze  
 2-3/8" OD Horizontal Tenon Mid-Pole Bracket is designed to mount light fixture that is equipped with an adjustable slip-fitter onto a 2-3/8" OD horizontal tenon.

**2-3/8" OD Horizontal Tenon Arc Adapter**  
**WSD-ADP2.5-BAR5-D**  
 MAX EPA: 0,3  
 Finish: Dark Bronze  
 For use with Round, non-tapered steel and aluminum poles, 2-3/8" OD Horizontal Tenon Mid-Pole Bracket is designed to mount light fixture that is equipped with an adjustable slip-fitter onto a 2-3/8" OD horizontal tenon.

### POLE BRACKET

• For mounting one fixture on an existing pole

**4" Square Pole Mount with 2-3/8" O.D. Tenon**  
**WSD-VTS4-D**  
 MAX EPA: 0,3  
 Finish: Dark Bronze  
 For use with square, non-tapered steel and aluminum poles. Furnished with four 5/16" hex head stainless-steel bolts. Vertical tenon measures 2-3/8" O.D. and is made of steel tubing.

**5" Round Pole Mount with 2-3/8" O.D. Tenon**  
**WSD-VT5-D**  
 MAX EPA: 0,3  
 Finish: Dark Bronze  
 For use with round, non-tapered steel and aluminum poles. Furnished with four 3/8" hex head stainless-steel bolts. Vertical tenon measures 2-3/8" O.D., and is made of steel tubing.

**3" Round Pole Mount with 2-3/8" O.D. Tenon**  
**WSD-VT3-D**  
 MAX EPA: 0,3  
 Finish: Dark Bronze  
 For use with round, non-tapered steel and aluminum poles. Furnished with four 3/8" hex head stainless-steel bolts. Vertical tenon measures 2-3/8" O.D.

**4" Round Pole Mount with 2-3/8" O.D. Tenon**  
**WSD-VT4-D**  
 MAX EPA: 0,3  
 Finish: Dark Bronze  
 For use with round, non-tapered steel and aluminum poles. Furnished with four 3/8" hex head stainless-steel bolts. Vertical tenon measures 2-3/8" O.D.

**5" Square Pole Mount with 2-3/8" O.D. Tenon**  
**WSD-VTSS-D**  
 MAX EPA: 0,3  
 Finish: Dark Bronze  
 For use with square, non-tapered steel and aluminum poles. Furnished with four 5/16" hex head stainless-steel bolts. Vertical tenon measures 2-3/8" O.D., and is made of steel tubing.

**5" Round Pole Mount with 2-3/8" O.D. Tenon**  
**WSD-VT5-D**  
 MAX EPA: 0,3  
 Finish: Dark Bronze  
 For use with round, non-tapered steel and aluminum poles. Furnished with four 3/8" hex head stainless-steel bolts. Vertical tenon measures 2-3/8" O.D., and is made of steel tubing.

**4" Round Pole Mount with 2-3/8" O.D. Tenon**  
**WSD-VT4-D**  
 MAX EPA: 0,3  
 Finish: Dark Bronze  
 For use with round, non-tapered steel and aluminum poles. Furnished with four 3/8" hex head stainless-steel bolts. Vertical tenon measures 2-3/8" O.D.

**5" Round Pole Mount with 2-3/8" O.D. Tenon**  
**WSD-VT5-D**  
 MAX EPA: 0,3  
 Finish: Dark Bronze  
 For use with round, non-tapered steel and aluminum poles. Furnished with four 3/8" hex head stainless-steel bolts. Vertical tenon measures 2-3/8" O.D., and is made of steel tubing.

## STRAIGHT ROUND STEEL POLES - WSD Series

Size: 3" (3" dia.), 4" (4" dia.), 5" (5" dia.)

ROUND EXTERNAL MOUNT HORIZONTAL TENON		To mount 2/3/4 fixtures on an existing pole	
	<p><b>Double 90° Horizontal Tenon Adapter</b>  <b>WSD-SB2.5TW90-D</b>                      MAX EPA: 0.6                      Finish: Dark Bronze                      The Bracket is designed to mount over 2-3/8" (60mm) O.D. vertical tenon. Two fixtures can be mounted to the Round External Mount Horizontal Tenon and adjusted horizontally.</p>		<p><b>Triple 120° Horizontal Tenon Adapter</b>  <b>WSD-SB2.5TR120-D</b>                      MAX EPA: 0.7                      Finish: Dark Bronze                      The Bracket is designed to mount over 2-3/8" (60mm) O.D. vertical tenon. Three fixtures can be mounted to the Round External Mount Horizontal Tenon and adjusted horizontally.</p>
	<p><b>Double 180° Horizontal Tenon Adapter</b>  <b>WSD-SB2.5TW180-D</b>                      MAX EPA: 0.4                      Finish: Dark Bronze                      The Bracket is designed to mount over 2-3/8" (60mm) O.D. vertical tenon. Two fixtures can be mounted to the Round External Mount Horizontal Tenon and adjusted horizontally.</p>		<p><b>Quad 90° Horizontal Tenon Adapter</b>  <b>WSD-SB2.5QD90-D</b>                      MAX EPA: 0.3                      Finish: Dark Bronze                      The Bracket is designed to mount over 2-3/8" (60mm) O.D. vertical tenon. Four fixtures can be mounted to the Round External Mount Horizontal Tenon and adjusted horizontally.</p>
	<p><b>Single Spoke Bracket Tenon Adapter</b>  <b>WSD-SB2.5S90-D</b>                      MAX EPA: 0.4                      Finish: Dark Bronze                      The Bracket is designed to mount over 2-3/8" (60mm) O.D. vertical tenon. One fixture can be mounted to the Round External Mount Horizontal Tenon and adjusted horizontally.</p>		<p><b>180° Double Bullhorn</b>  <b>WSD-RB2.5D180-D</b>                      MAX EPA: 0.9                      Finish: Dark Bronze                      The Bracket is designed to mount over 2-3/8" (60mm) O.D. vertical tenon. Two fixtures can be mounted to the Round External Mount Horizontal Tenon and adjusted horizontally.</p>
	<p><b>180° Triple Bullhorn</b>  <b>WSD-RB2.5TR180-D</b>                      MAX EPA: 1.4                      Finish: Dark Bronze                      The Bracket is designed to mount over 2-3/8" (60mm) O.D. vertical tenon. Three fixtures can be mounted to the Round External Mount Horizontal Tenon and adjusted horizontally.</p>		<p><b>90° Quad Bullhorn</b>  <b>WSD-RB2.5QD90-D</b>                      MAX EPA: 1.5                      Finish: Dark Bronze                      The Bracket is designed to mount over 2-3/8" (60mm) O.D. vertical tenon. Four fixtures can be mounted to the Round External Mount Horizontal Tenon and adjusted horizontally.</p>
	<p><b>90° Wall Mount Bracket with 2-3/8" O.D. Tenon</b>  <b>WSD-ADP2.5-90H-D</b>                      MAX EPA: 0.7                      Finish: Dark Bronze                      The 90° wall mount bracket with 2-3/8" tenon attaches flood and area fixtures to almost any surface: wall, roof, or wood pole. Provides wiring access and abuilt-in 2-3/8" O.D. tenon to mount a fixture with our adjustable slip-fitter. Suggested 3/8" diameter bolts for mounting. Mounting holes are spaced 3-1/4" apart.</p>		<p><b>Double 180° Horizontal Tenon Adapter</b>  <b>WSD-RB2.5TR180H-D</b>                      MAX EPA: 1.0                      Finish: Dark Bronze                      The Bracket is designed to mount over 2-3/8" (60mm) O.D. vertical tenon. Two fixtures can be mounted to the Round External Mount Horizontal Tenon and adjusted horizontally.</p>
	<p><b>Triple 120° Horizontal Tenon Adapter</b>  <b>WSD-SB2.5TR120V-D</b>                      MAX EPA: 1.5                      Finish: Dark Bronze                      The Bracket is designed to mount over 2-3/8" (60mm) O.D. vertical tenon. Three fixtures can be mounted to the Round External Mount Horizontal Tenon and adjusted horizontally.</p>		<p><b>Double 180° Wall Mount Bracket with 2-3/8" O.D. Tenon</b>  <b>WSD-ADP2.5-180H-D</b>                      MAX EPA: 1.4                      Finish: Dark Bronze                      The 180° wall mount bracket with 2-3/8" tenon attaches flood and area fixtures to almost any surface: wall, roof, or wood pole. Provides wiring access and abuilt-in 2-3/8" O.D. tenon to mount a fixture with our adjustable slip-fitter. Suggested 3/8" diameter bolts for mounting. Mounting holes are spaced 3-1/4" apart.</p>

## STRAIGHT ROUND STEEL POLES - WSD Series

Size: 3" (3" dia.), 4" (4" dia.), 5" (5" dia.)

	<p><b>Square Triple 90° Horizontal Tenon Adapter</b>  <b>WSD-QT90-3T-D</b>            MAX EPA: 1.5            Finish: Dark Bronze            The Bracket is designed to mount over 2-3/8" O.D. vertical tenon.</p>		<p><b>Round Triple 90° Horizontal Tenon Adapter</b>  <b>WSD-SB2.5QD90-3T-D</b>            MAX EPA: 0.3            Finish: Dark Bronze            The Bracket is designed to mount over 2-3/8" (60mm) O.D. vertical tenon, Triple fixtures can be mounted to the Round External Mount Horizontal Tenon and adjusted horizontally.</p>
	<p><b>Low Profile Bullhorn with 4 Tenons</b>  <b>WSD-VTS4R-4T-D</b>            MAX EPA: 1.7            Finish: Dark Bronze            The Bracket is designed to mount over 2-3/8" O.D. vertical tenon.</p>		<p><b>Four 180° Horizontal Tenon Adapter</b>  <b>WSD-RB2.5TR180-4T-D</b>            MAX EPA: 1.4            Finish: Dark Bronze            The Bracket is designed to mount over 2-3/8" (60mm) O.D. vertical tenon. Four fixtures can be mounted to the Round External Mount Horizontal Tenon and adjusted horizontally.</p>
<p><b>MOUNTING OPTIONS:</b></p>			
	<p><b>WSD-NEWSBARM2-D</b>            Finish: Dark Bronze            Arm Mount 4" and 5" Square and Round poles, Standard versatile mounting arm is simple to install and can be used with existing poles for retro installations.</p>		<p><b>WSD-NEWSBSF2-D</b>            Finish: Dark Bronze            Slipfitter Mount An optional cast aluminum mast arm adapter secures fixture head to nominal 2" (2-3/8" O.D. pipe size) horizontal steel tenon arm.</p>
	<p><b>WSD-SBT-D</b>            Finish: Dark Bronze            Easy to install for direct wall mounting with 1/2" conduit wiring.</p>		<p><b>WSD-SFARM2-D</b>            Finish: Dark Bronze            SFARM2 Mount An optional cast aluminum mast arm adapter secures fixture head to nominal 2" (2-3/8" O.D. pipe size) horizontal steel tenon arm.</p>
	<p><b>Install Base Shield</b>  <b>WSD-IBR3-D</b>            Finish: Dark Bronze            The 3" Installation of base shield is used to protect the base after fixing the lamp pole, so that the lamp pole base is not damaged, thereby increasing the service life of the lamp pole.</p>		<p><b>Install Base Shield</b>  <b>WSD-IBR4-D</b>            Finish: Dark Bronze            The 4" Installation of base shield is used to protect the base after fixing the lamp pole, so that the lamp pole base is not damaged, thereby increasing the service life of the lamp pole.</p>
	<p><b>Install Base Shield</b>  <b>WSD-IBR5-D</b>            Finish: Dark Bronze            The 5" Installation of base shield is used to protect the base after fixing the lamp pole, so that the lamp pole base is not damaged, thereby increasing the service life of the lamp pole.</p>		<p><b>Arm Square Tube Turn Tube Tenon Adapter</b>  <b>WSD-ARM-BAR-D</b>            Finish: Dark Bronze            Round tube light bar installation, with Arm installation of lamps.</p>

Size: 3" (3" dia.), 4" (4" dia.), 5" (5" dia.)

MOUNTING OPTIONS:			
	<p><b>Arm Square Tube Turn Tube Tenon Adapter</b> <b>WSD-SADP-BAR-D</b></p> <p>Finish: Dark Bronze</p> <p>Round tube light bar installation, with Arm installation of lamps.</p>		<p><b>Base Mounting Screw</b> <b>WSD-BMS-S</b></p> <p>Before installing the lamp pole, the installation hook should be buried underground and fixed by cement. After fixing, the lamp pole should be fixed by locking screw and base installed.</p>
	<p><b>Anchor Bolt Positioning Plate</b> <b>WSD-SPP235</b></p> <p>This is a screw rod positioning plate. After the screw rod of the lamp rod base is fixed underground, the positioning plate is fixed with the screw rod to prevent the screw rod from deviation. Finally, the lamp rod is locked.</p>		
30FT Light Pole Optional Accessories:			
<p>Position Plate Bottom</p>	<p><b>Cross Screw Positioning Plate</b> <b>WSD-SPP235-BM24</b></p> <p>This is a screw bottom cross positioning plate. It is used in conjunction with the top positioning plate WD-SPP235-TM24 and WSD-BM24SL914-S to fix the positioning plate with the screw to prevent the screw from deviating. Finally, the lamp pole locks.</p>		<p><b>Anchor Bolt</b> <b>WSD-BM24SL914-S</b></p> <p>Before installing the lamp pole, the installation hook should be buried underground and fixed by cement. After fixing, the lamp pole should be fixed by locking screw and base installed. (It is used in conjunction with WSD-SPP235-BM24 and WD-SPP235-TM24).</p>
	<p><b>Anchor Bolt Positioning Plate</b> <b>WSD-SPP235-TM24</b></p> <p>This is a screw rod positioning plate. After the screw rod of the lamp rod base is fixed underground, the positioning plate is fixed with the screw rod to prevent the screw rod from deviation. Finally, the lamp rod is locked. (It is used in conjunction with WSD-SPP235-BM24 and WSD-BM24SL914-S).</p>	<p><b>LIGHT POLE TOP</b></p>	<p>Removable Cap Arm Installation hole</p>