

TP360 | UFO Post Top Light

40W / 60W / 75W / 80W / 100W / 150W / Power Switch



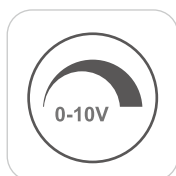
Specifications

Wattage	40W -60W-80W / 75W-100W -150W Power Switch
LED Chips	SMD 2835, Samsung or Other LED Chips
Driver Brand	SOSEN/ ZHIHE/ or Other Brand
Material	Aluminum alloy+PC lens
Color Temp	3000K / 4000K / 5000K / 3CCT Switch
Dimming	0-10V / 1-10V / Non-dimmable
Light Distribution	130°
Lumen	130-140LM/W (Higher LM/W can be provided)
AC Input Voltage	AC120-277V / AC120-347V / AC180-480V Available
Ambient Temperature	-40°C to +45°C
Exclusive Feature(1)	Photocell Sensor Available
Exclusive Feature(2)	Motion Sensor Available
Exclusive Feature(3)	Bluetooth Mesh + App for Smart Control Available
Exclusive Feature(4)	CCT / Power Tunable Optional
Housing	Black / custom color
Lifetime	50,000H
Warranty	5 years

Feature



CCT Select



0-10V Dimming



Power Select



ADC12 Die casting



Photocell sensor



Motion sensor

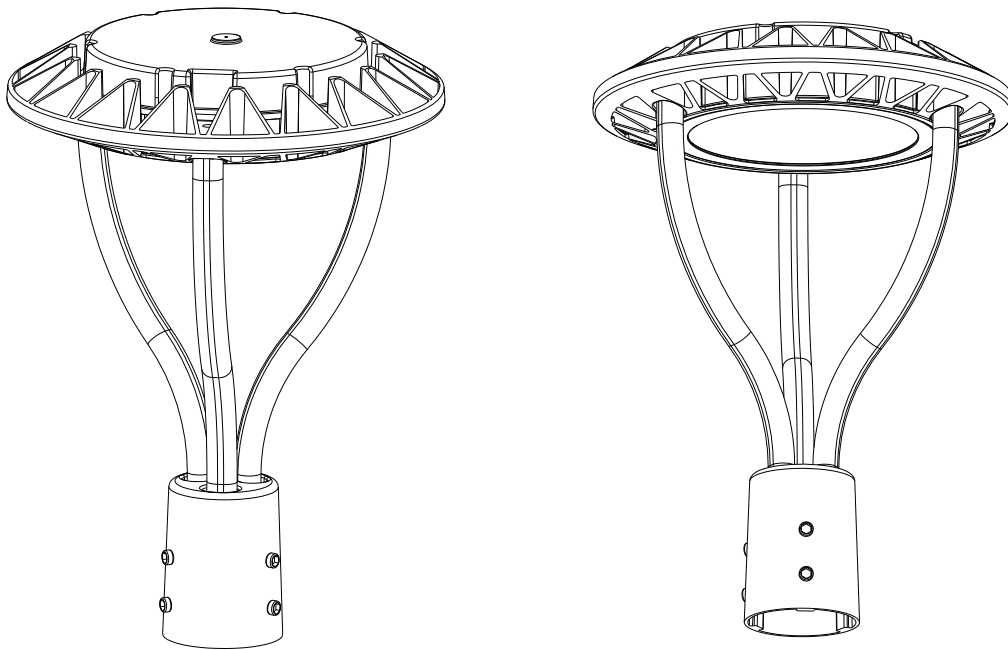


<< Photocell Sensor

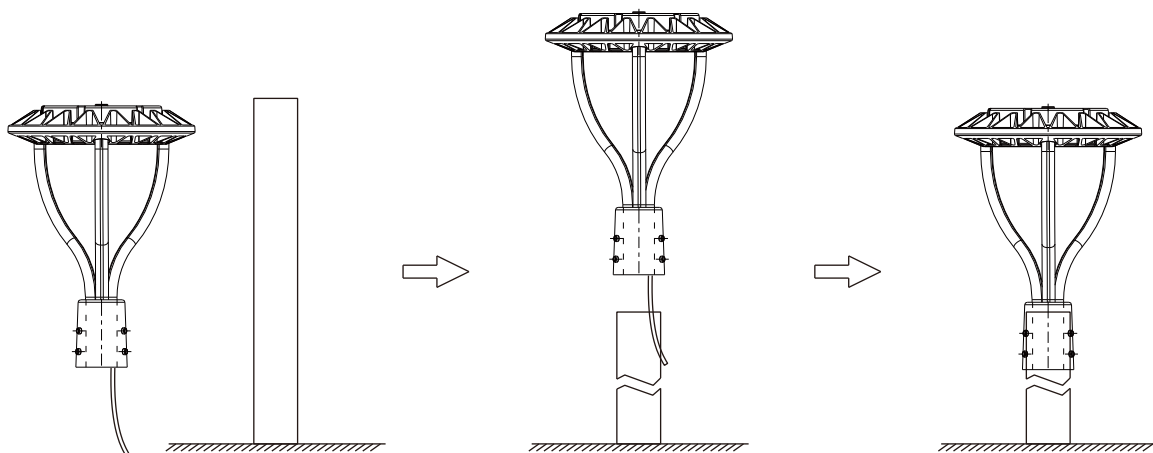
Motion Sensor >>



Drawing



Installation



Applications



Walkway



Community



House



Building

Dimension

