

TP421 | **UFO POST TOP LIGHT**
30W / 50W / 60W / 80W / 100W / 150W



Specifications

Wattage	30W / 50W / 60W / 80W / 100W / 150W
LED Chips	SMD 2835, Samsung or Other LED Chips
Driver Brand	Meanwell / SOSEN/ ZHIHE or Other Brand
Material	Aluminum alloy+PC lens
Color Temp	3000K(Warm white) / 4000K (Natural white) / 5000K(Daylight)/ 3CCT Switch
Lumen	130-140LM/W (Higher LM/W can be provided)
AC Input Voltage	AC120-277V/AC120-347V/AC180-480V Available
Mounting Methods	3" Round Pole (Normal)
Exclusive Feature (1)	Motion Sensor/ Photocell Sensor/WIFI Camera Optional
Exclusive Feature (2)	3CCT/Power Switch Available
Exclusive Feature (3)	Bracket turnable to save package volume
Ambient Temperature	-40°C to +45°C(-40°F to +113°F)
Total Harmonic Distortion (THD)	< 15%
Housing	Bronze/Black or other customs color
Lifetime	50,000H
Warranty	5 years

Features



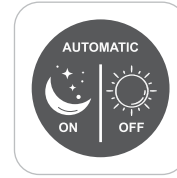
CCT Select



Power Select



Motion sensor



Photocell sensor



WIFI



4G



Camera



ADC12 Die casting

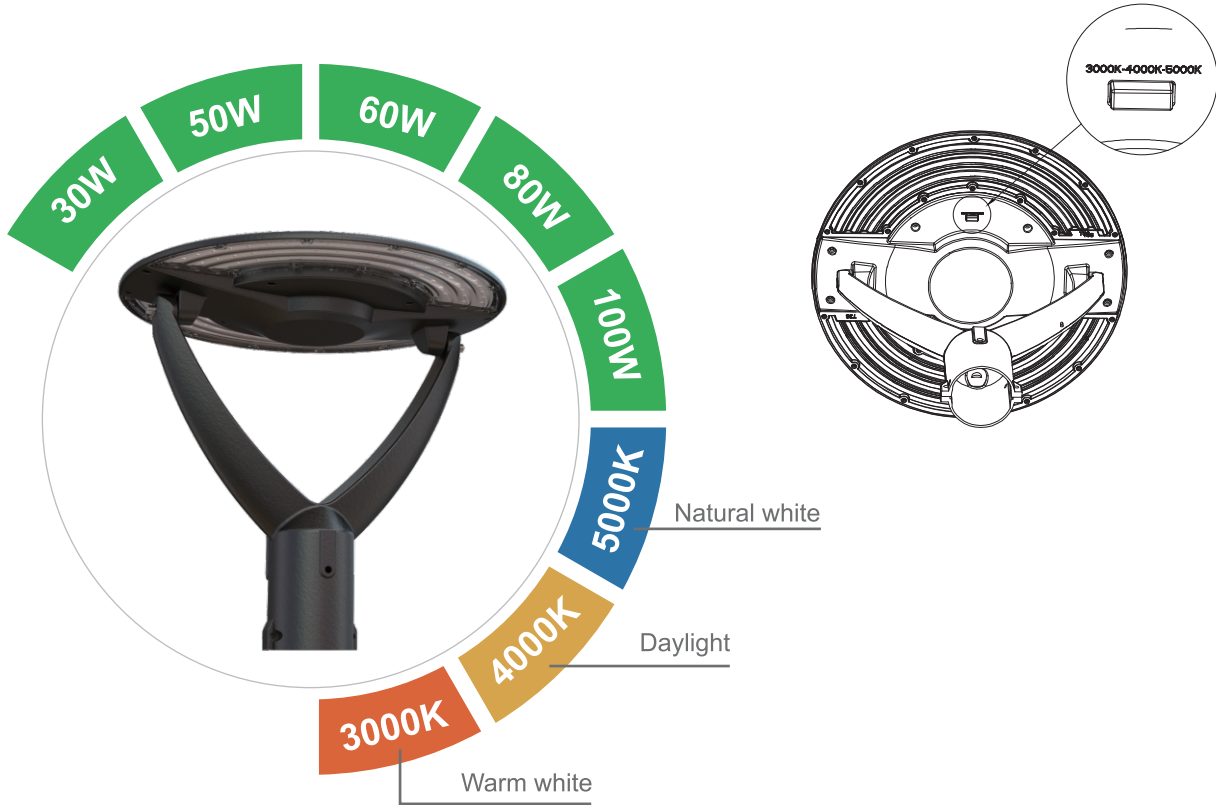
Bracket turnable to save size/package volume



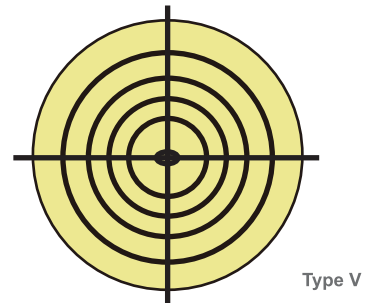
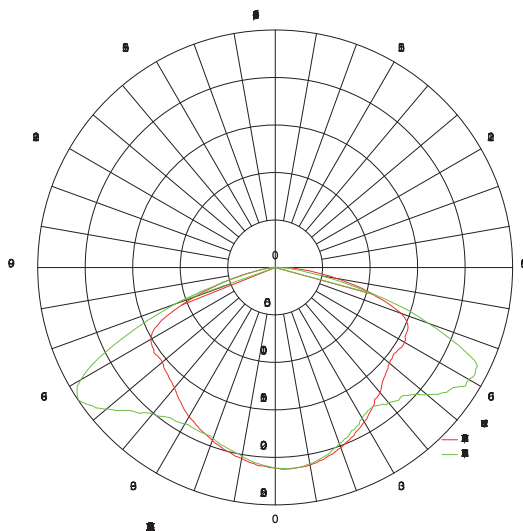
Extra Functions Available



CCT & Power Select



Light Distribution



Applications



Parking Area



Walkway



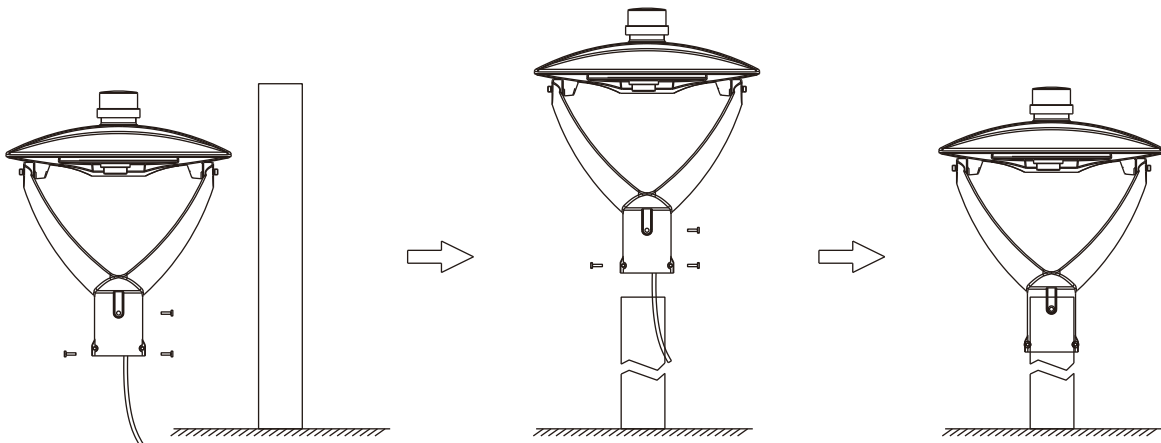
Community



Plaza

Installation

3" Round Pole Installation



Dimension

