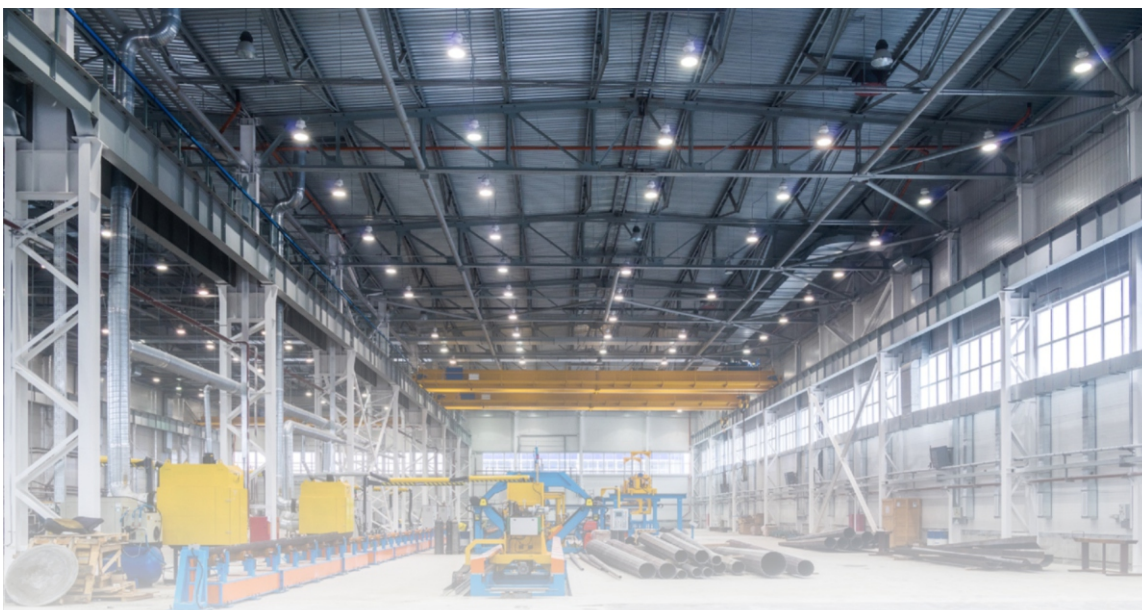


LED HAZARDOUS LOCATIONS LIGHT - MS Series HB High Temperature



Features:

MS Series High Temperature High Bay Light, which is applied to ambient high temperature working area where operation temperature may reach 158°F(70°C), such as steel plant, aluminum smelter, and other high-temperature, dust, corrosive gas environment.

The HB Series high heat resistant lights combine optical performance energy efficiency and outstanding versatility to meet the requirements of high temperature lighting applications in high-temperature, dust, corrosive gas environment, delivering a wide range of light outputs. The enclosure body is made of aluminum with corrosion-resistant coating which protects against overheating damage.



Specifications:

Model	HB-xxxW-D1YZDG	HB-xxxW-D2YZDG	HB-xxxW-D4YZDG
Power	50/100/150W	100/150/200/250/300W	300/350/400/500/600W
Voltage	AC127-270V /AC347-480V, 50/60Hz		
Efficiency	150lm/W		
CRI	>70		
Beam Angle	20°-120°		
CCT	2200K-7000K		
Ambient Temperature	-40°F to + 158°F(-40°C to +70°C)		
IP Rating	IP66/IP67		
IK	IK09		
LED Chip	5050/3535/3030		



D1



D2



D4

LED HAZARDOUS LOCATIONS LIGHT - MS Series HB High Temperature

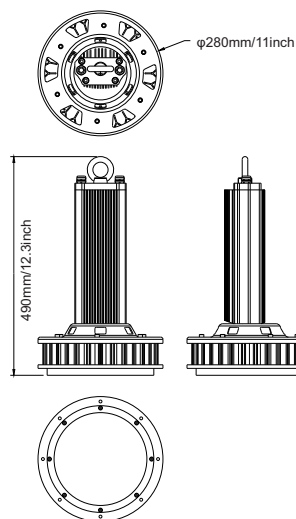
Packing Information

Model	Quantity/Carton	Packing Size (mm)	N.W (KG)	G.W (KG)
HB-xxxWD1YZDG	1	340×340×550	8	9
HB-xxxWD2YZDG	1	380×670×306	16	17
HB-xxxWD4YZDG	1	696×675×306	32.25	33.25

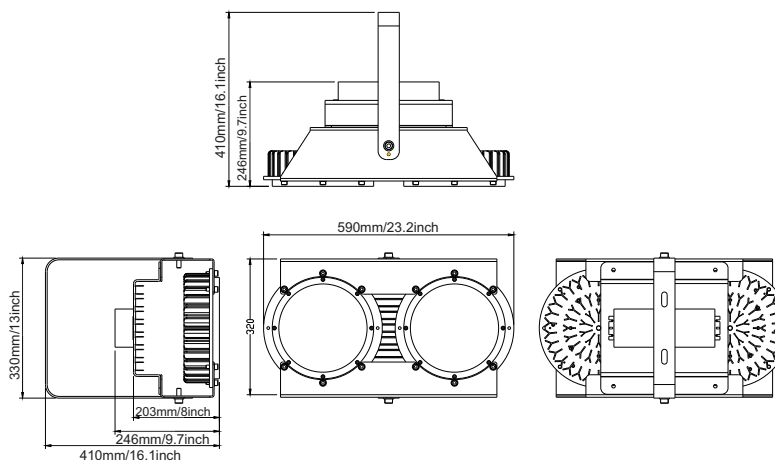
Dimension

Unit: mm or inch

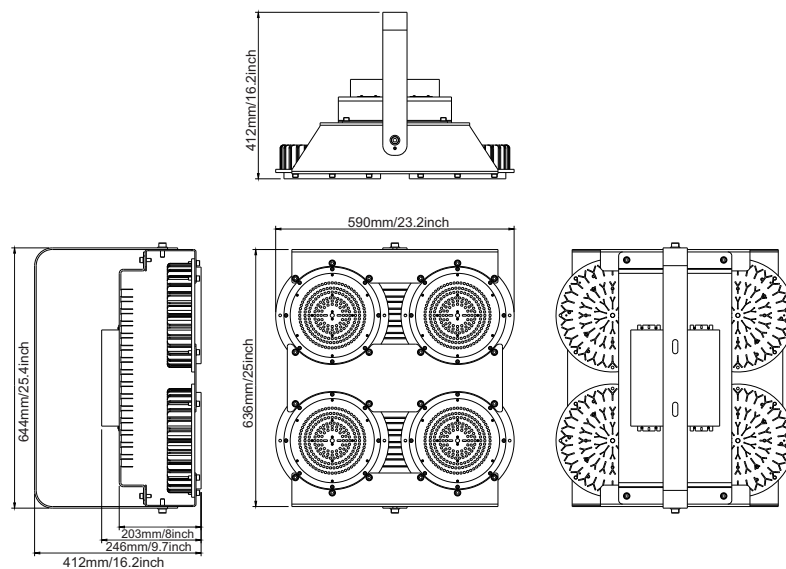
HB-xxxWD1



HB-xxxWD2

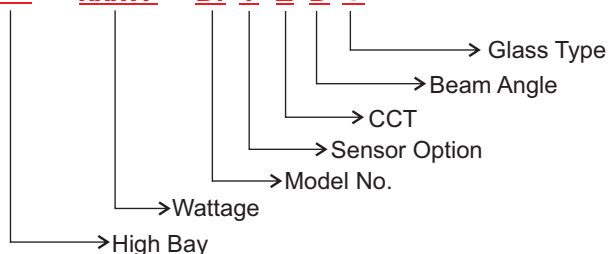


HB-xxxWD4



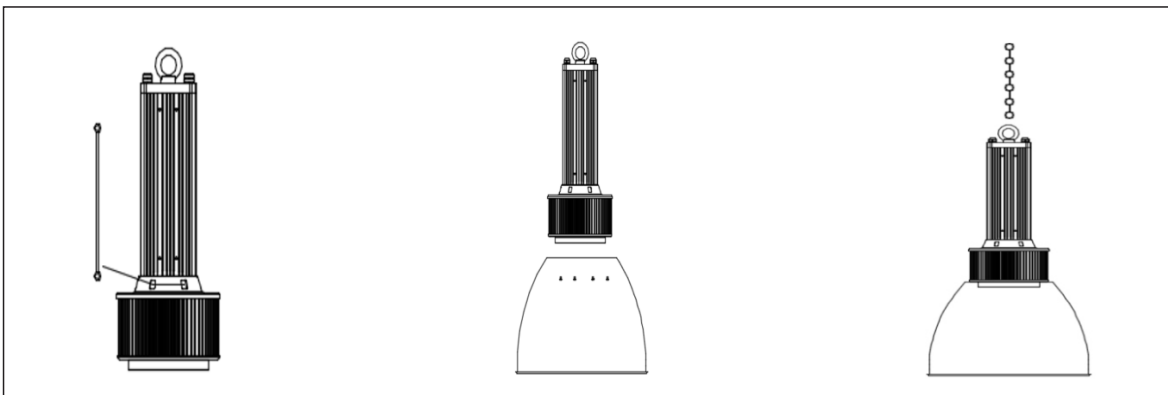
Ordering Guide

HB - xxxW - Di Y Z D G



Mounting Methods

No.1: Hook Pendant Mounting



No.2: Bracket Mounting

