

10W-300W

**STA Series**

## ◎ APPLICATIONS

### Oil and Gas industry

- All petroleum production and refining
- Petroleum loading and transportation
- Petroleum storage and retail
- LNG industry
- All mining operations and service

### Chemical industry

- All types of paint facilities
- Chemical production and storage

### Ocean, marine and aerospace field

- Ocean platform operation facilities and structure
- Aerospace clean room and production
- Ocean vessel operations

### Metal treatment

- Steel and aluminum factories
- Pumping stations in any environment
- Metal smelting, foundry and fabrication

### Food and alcohol industry

- Flour and fine particle production and storage
- Food and distilling production
- Alcohol industry

**Other high humidity, high dust, high temperature, vapor locations**



### DESCRIPTION

- > STA Series is an explosion proof street light, mainly used as factory or road lighting.
- > It is waterproof and dust-proof, without internal cleaning and maintenance.
- > The lamp is made of explosion-proof joint surface; simple structure and easy installation, it will never corrode and rust in damp, high temperature and other harsh environments.



### EXPLOSION PROTECTION

Marking UL844 (North American)

- Class I, Division 2, Groups A, B, C, D
- Class II, Division 1, Groups E, F, G
- Class II, Division 2, Groups F, G
- Class III

Marking ATEX

- II2 G Ex eb mb IIC T5/T6 Gb
- II2 D Ex tb IIIC T95/80°C Db

Marking IECEx

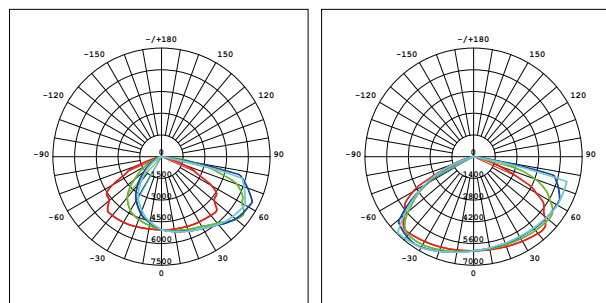
- Ex eb mb IIC T5/T6 Gb
- Ex tb IIIC T95/80°C Db

Marine Marking

- 1598, UL1598A
- ABS
- Other Rating
- IP 66 / IP67
- IK 10



### LIGHT DISTRIBUTION



TYP III

TYP V

### MATERIALS

- Housing: Copper-free aluminum
- Lens: Tempered glass
- Hardware: Stainless steel
- Mounting Bracket: Stainless steel

## ◎ FEATURES

- Working Temperature: -40°C ~ +55°C.
- High quality SMT LED and Meanwell Driver.
- Heavy-duty and high impact resistance.
- Replaceable LED board and drivers.
- Integrated junction box for driver .
- Dimmable and battery back up function available.
- Marine rating powder coated finish treatment.
- Up to 5 years warranty.
- Glass lens or polycarbonate lens to make various beam angles.



## ◎ SPECIFICATION

Product Number	Wattage	CCT	Voltage	Lumen Efficiency	Warranty	CRI	Emergency Time
EX-xxxW STA1	300W	2700K-7000K	100-305VAC 180-525VAC	120-140 Lm/W	5 Years	>70	3 Hours
EX-xxxW STA2	100/150/200W	2700K-7000K	100-305VAC 180-525VAC	120-140 Lm/W	5 Years	>70	3 Hours
EX-xxxW STA3	100/150/200W	2700K-7000K	100-305VAC 180-525VAC	120-140 Lm/W	5 Years	>70	3 Hours

## ◎ PACKING INFORMATION

Model	Quantity/Carton	Length(mm)	Width(mm)	Height(mm)	Net weight(kg)	Gross weight(kg)
STA1	1	690mm	380mm	120mm	9.5kg	10.5kg
STA2	1	455mm	135mm	125mm	5.7kg	6.7kg
STA3	1	485mm	327mm	135mm	7.3kg	8.0kg

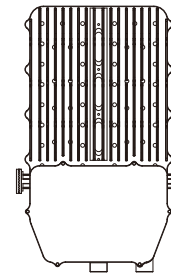
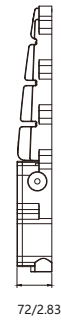
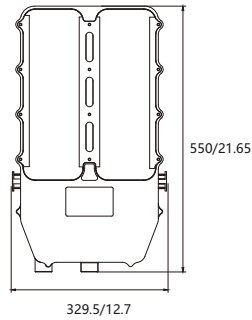
### ◎ DIMENSION

STA Series

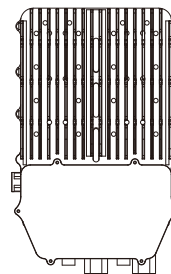
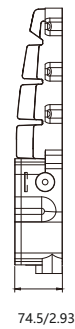
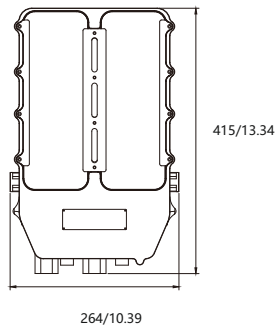
Unit: mm/inch



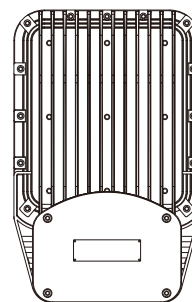
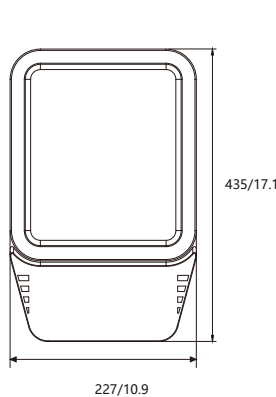
STA1



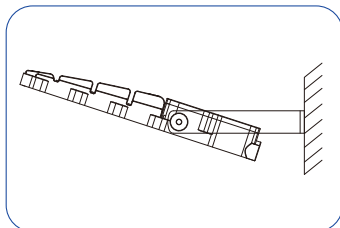
STA2



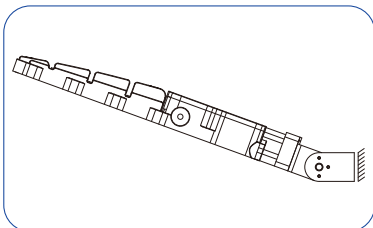
STA3



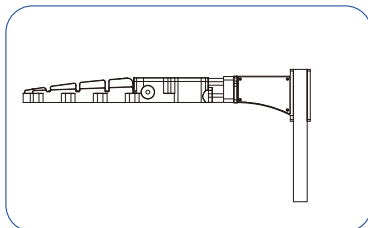
### ◎ MOUNTING



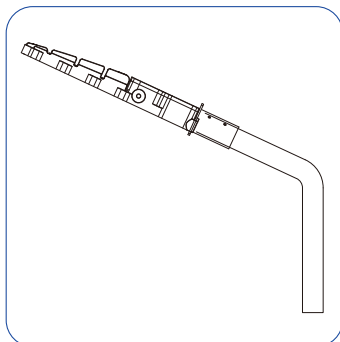
1. Wall Mounting with U-bracket



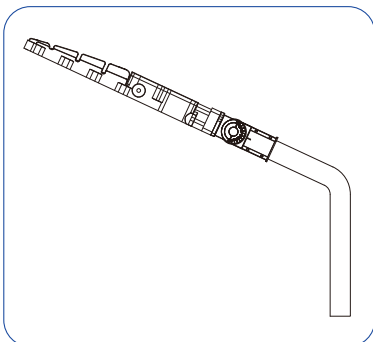
2. Wall Mounting with Trunnion Mounting Kit



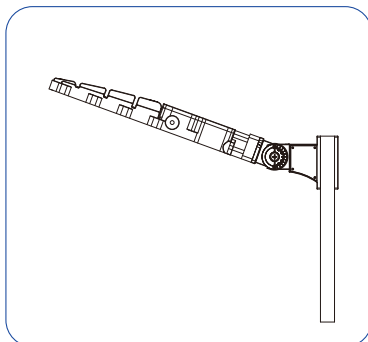
3. Pole Mounting with Arm Mounting Kit



4. Pole Mounting with Light Pole Mounting Bracket



5. Pole Mounting with Slip Fitter Mounting Kit



6. Pole Mounting with Adjusted Arm Mounting Kit

### ◎ ACCESSORIES



• Model: U-bracket  
Material: SPCC



• Model: Light pole mounting bracket  
Material: ADC12



• Model: Hoop  
Material: SPCC



• Light pole mounting bracket  
Material: SPCC



• Model: Trunnion mounting kit  
Material: SPCC



• Model: Arm mounting kit  
Material: ADC12



• Model: Adapter bracket  
Material: ADC12



• Model: Slip fitter mounting kit  
Material: ADC12



• Model: Adjusted arm mounting kit  
Material: ADC12