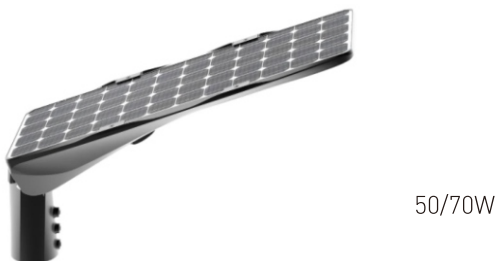


SOLAR LED LIGHT - LS Series SLS



50/70W



50/70W



SUITABLE APPLICATIONS

- Suitable for the street lighting
- sidewalk lighting
- roadway lighting
- fence lighting
- pathway lighting
- campus lighting
- park lighting
- garden lighting
- ramp lighting
- boat dock lighting
- remote area lighting
- farm & ranch lighting

Features:

1. The lamp use integrated aluminum structure design, with best heat dissipation and long life time
2. Using LUXEON 5050 led chip, the whole lighting effect is up to 180lm/W
3. The lamp use integrated aluminum structure design, with best heat conversion efficiency, up to 24%
4. Using the most advanced MPPT tracking control technology to improve system efficiency and reduce costs;
5. It has functions of light control, time control, dimming, intelligent power saving;
6. Solar controller built-in lightning protection module;
7. Adopting advanced 32135 LiFePO4, Charging and discharging 2200 cycles, with more than 25 years life time.
8. 365 days uninterrupted power.
9. **Three control model:** Time control + light sensor control + motion sensor control

Time control: It can be divided into 5 time periods, which is more humane and energy-saving;

Light sensor control: When the evening comes, when the solar panel battery voltage is lower than 3V, the lamp will automatically turn on;

Motion sensor control: A motion-sensing energy-saving mode. When a moving object is sensed, the lamp will have 100% brightness; when no moving object, the lamp will be in a low-power and energy-saving state, with a brightness of 10%-100% (can be set)

PERFORMANCE

Model NO	Wattage	Battery	Solar Panel	Luminous flux(lm) (Max)	Kelvin Options
LS-SLS50W	50W	32135 LiFePO4 12.8V 20 Ah	50W /18V monocrystalline silicon (Life span of 25 years, 80% efficiency)	4500LM	5700K
LS-SLS70W	70W	32135 LiFePO4 12.8V 40 Ah	70W /18V Monocrystalline silicon (Life span of 25 years, 80% efficiency)	7200LM	5700K

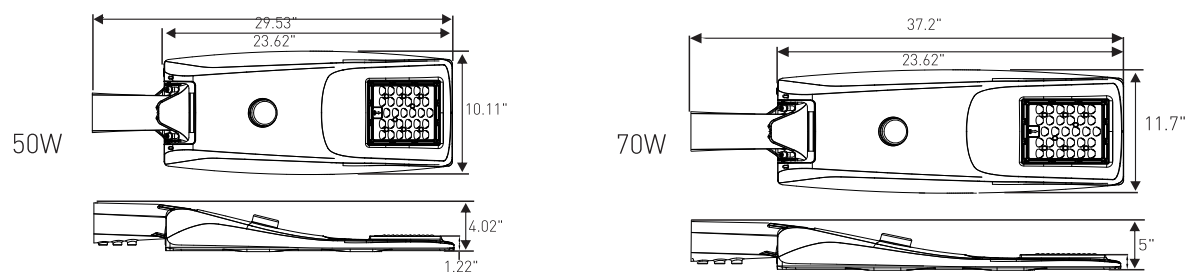
SOLAR LED LIGHT - LS Series SLS

► Electric Characteristic

Specification/Model	LS-SLS50W	LS-SLS70W
Battery	32135 LiFePO4 12.8V 20 Ah	32135 LiFePO4 12.8V 40 Ah
Beam angle	150x70°	150x70°
Pole diameter	60MM	60MM
Light output(Max)	50W	70W
Luminous flux(lm)(Max)	4500	7200
Color Temperature	Pure white:5000-6500K Neutral white:4000-4500K	Pure white:5000-6500K Neutral white:4000-4500K
Solar panel	50W /18V Monocrystalline silicon (Life span of 25 years, 80% efficiency)	70W /18V monocrystalline silicon (Life span of 25 years, 80% efficiency)
CRI	70	70
Chip Brand	LUXEON 5050	LUXEON 5050
LED Quantity(PCS)	30	30
Control Model	Time control + Light sensor control + Motion sensor control	Time control + Light sensor control + Motion sensor control
Operating time	Full power >12 hours ,Intelligent mode 3-4 days (Affected by local use environment and sunlight)	Full power >12 hours ,Intelligent mode 3-4 days (Affected by local use environment and sunlight)
Material	Die Casting Aluminum	Die Casting Aluminum
Lifespan(hrs)	>20000	>20000
IP Rating	IP66	IP66
Light body color	Black/Grey	Black/Grey
Installation height	4-6M	4-7M
Size(mm)	L750*W257*H102 (L29.53*W10.12*H4.02 Inch)	L945*W298*H127 (L37.21*W11.73*H5.0 Inch)
Net Weigh(kg)	6.5	12
Package Size(mm)	L800*W295*H155 (L31.50*W11.61*H6.10 Inch)	L1000*W340*H185 (L39.37*W13.39*H7.28 Inch)
Package Quantity(Pcs)	1.0	1.0
Gross Weigh(kg)	7.6	13.1
Warranty	2 years	2 years

Default Mode	Delay Time	Motion Brightness	No Motion Brightness
TIME 1 (4hrs)	5 seconds	100%	15%
TIME 2 (4hrs)	3 seconds	50%	15%
TIME 3 (8hrs)	3 seconds	30%	15%

► Electric Characteristic



PRODUCT ORDERING GUIDE

LS - SLS 50W
1 2 3

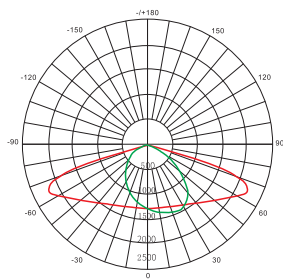
LS SLS 50W

LS Company name

SLS Solar LED light

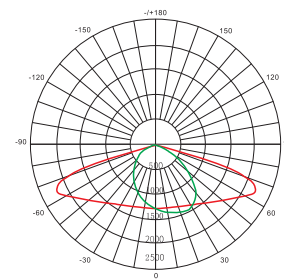
50W PowerOutput

DISTRIBUTION DIAGRAM



AVERAGE E.M.A.N.G.L.E.(50%): 130°
UNIT: CD
TestNumber :LS-SLS50W
Lumens:4500 LM
TestNumber: 50W
TestNumber:5700K

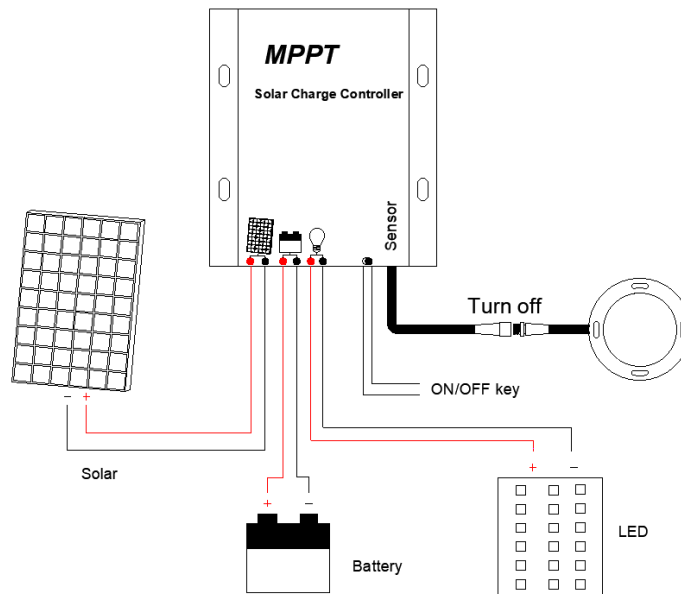
UNIT: CD
- C0/180, 157
- C30/210,128.2
- C60/240,87.5
- C90/270,79.9



AVERAGE E.M.A.N.G.L.E.(50%): 130°
UNIT: CD
TestNumber :LS-SLS70W
Lumens:7200 LM
TestNumber: 70W
TestNumber:5700K

UNIT: CD
- C0/180, 157
- C30/210, 128.2
- C60/240, 87.5
- C90/270, 79.9

Lamp internal wiring diagram:



9. Warning:

1. Do not install in high temperature, closed and non-ventilated areas;
2. The installation location should not be installed under the tree or the place where there are obstructions. The solar panel must be exposed to sunlight in all directions;
3. When the product is stored in the warehouse, it needs to be charged and discharged every 3 months;
4. When the product is faulty, you need to find a professional to deal with it;
5. Eliminate scrapped products, must be handed over to the relevant departments for Centralized processing.

Installation Instructions

Solar LED Street Light

User Instructions

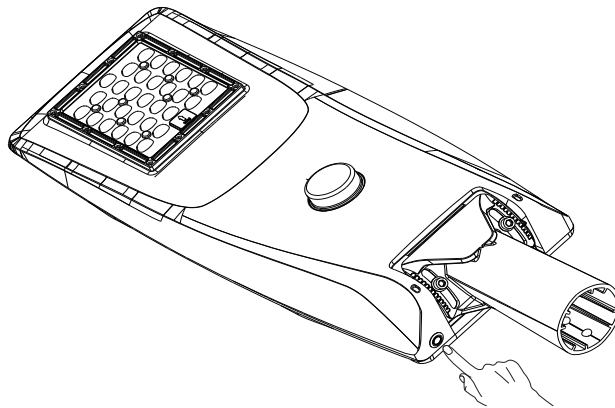
1. When open the package please assure that the light is perfect without any damage. If any damage is found, do not install the product.
2. The ambient temperature for storage is -25°C - $+60^{\circ}\text{C}$. The ambient temperature for working is -20°C - $+50^{\circ}\text{C}$.
3. There are pc fittings for the light. It should be handled with care.

Installation Instruction

It is suggested that the LED street lights should be installed by specialized persons according to the instructions.

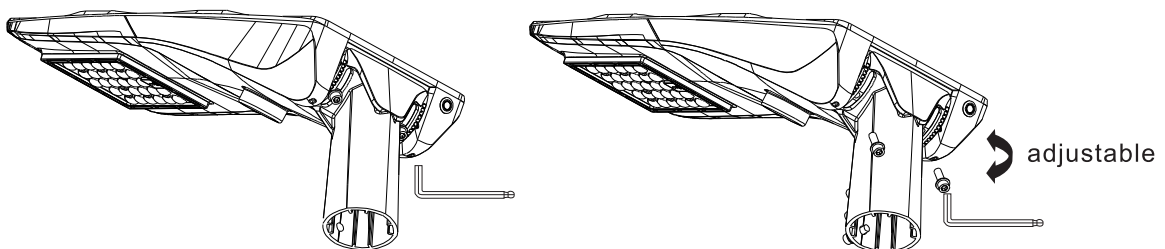
Step 1: Turn on the light

Press the button "on/off" with the hand can turn on the solar led street light



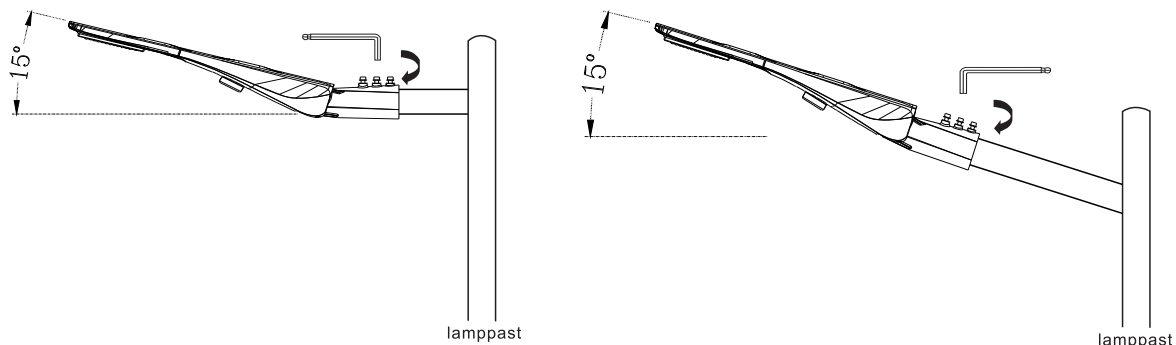
Step 2: Adjust the light angle

Torsion loose the two hexagonal screws of M8 on the street lights bracket, adjust the lamp angle as customer requested and then screw the hexagonal screws of M8 on the street lights bracket with wrench until Tightened

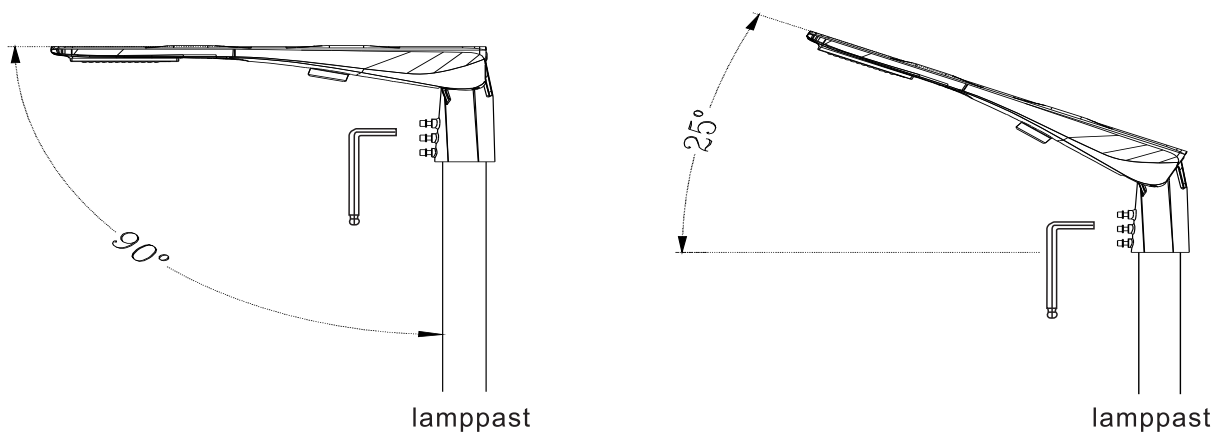


Step 3: Fasten the light to the pole by the bolt

The pole diameter is 6012mm and the length of connective part is 100-105mm. Torsion loose the three hexagonal screws of M8 on the top of bracket, fasten the light to the pole and then screw the hexagonal screws of M8 with wrench until Tightened.



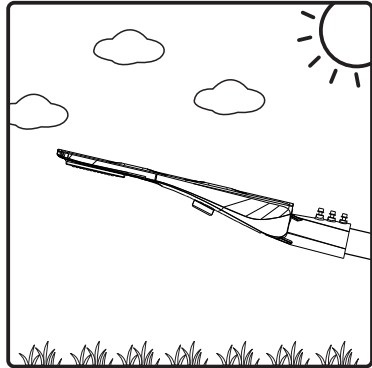
Side entry mounted



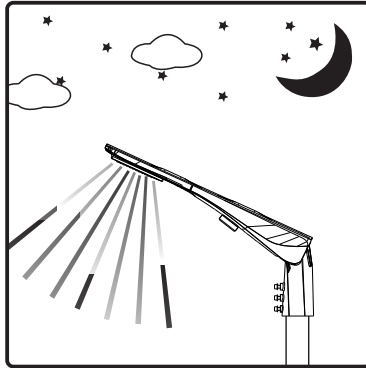
Top mounted

Step 4: You can see the indicator light flashes inside the microwave sensor, the lights will turn on at night Then the installation is done.

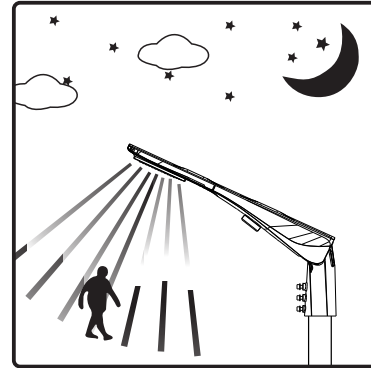
SOLAR LED LIGHT - LS Series SLS



Solar panel charges in sunny daytime. Light works at night with the power stored by battery



When people leaves 8-10M away, after set times, the light will dim to set brightness



When people comes 8-10M near, the light will turn on with full brightness