

EPLC01 Series Hazardous Location LED High Bay Lights



EPLC01 Series HAZARDOUS LOCATION LED HIGH BAY LIGHTS



Product description

The anti-shock and vibration pattern and tempered glass lampshade design enables the explosion-proof LED high bay lighting to have a higher CRI, reducing glare in applications where users may have direct visual contact with the light source. It can be used for Class I, Division 2, Groups A, B, C and D; Class II, Division 2, Groups F and G; Class III hazardous environment, Certificate No: E475887-UL-CUL. The hazardous location led high bay light is equipped with a corrosion-resistant and high-strength aluminum alloy housing, which is suitable for salt water and corrosive environment. It is very efficient and safe, and there are emergency options, installation options, etc., which is very suitable for your project.

Features

- Patent designed to be Curved Fin Shape, maximize the best heat transmit.
- Housing - Aluminum alloy (ADC12).
- LED: LM80 certified, high efficacy, low decay, long lifespan. 130 lm/W ± 5 , up to 26000lm.
- Lens -tempered glass shock & vibration resistant, Super clear, >90% light transmit.
- Meanwell LED Driver, >90% driver efficacy.
- Circuit design: 4KV/6KV Surge Protection power supply.

Application

Wastewater treatment, oil and gas refineries, drilling rigs, offshore platforms, petrochemical facilities, chemical plants, coal mines, aviation bases, food plant, Pharmaceutical plant, beverage facilities, and where flammable vapors, gases, ignitable dusts, fibers or flyings are present.

Warranty

5-Year Standard Warranty

Certification

NEC/CEC:

- Class I, Division 2, Groups A, B, C and D
- Class II, Division 2, Groups F and G
- Class III
- T-Class: T3C/T4/T4A/T5/T6
- Damp and wet locations
- Certification body: UL
- Certification Mark: CUL
- Certificate No: E475887

Standard :

US: UL 844; UL 1598;
Canada: CSA C22.2 No. 137;
CSA C22.2 No. 250.0;

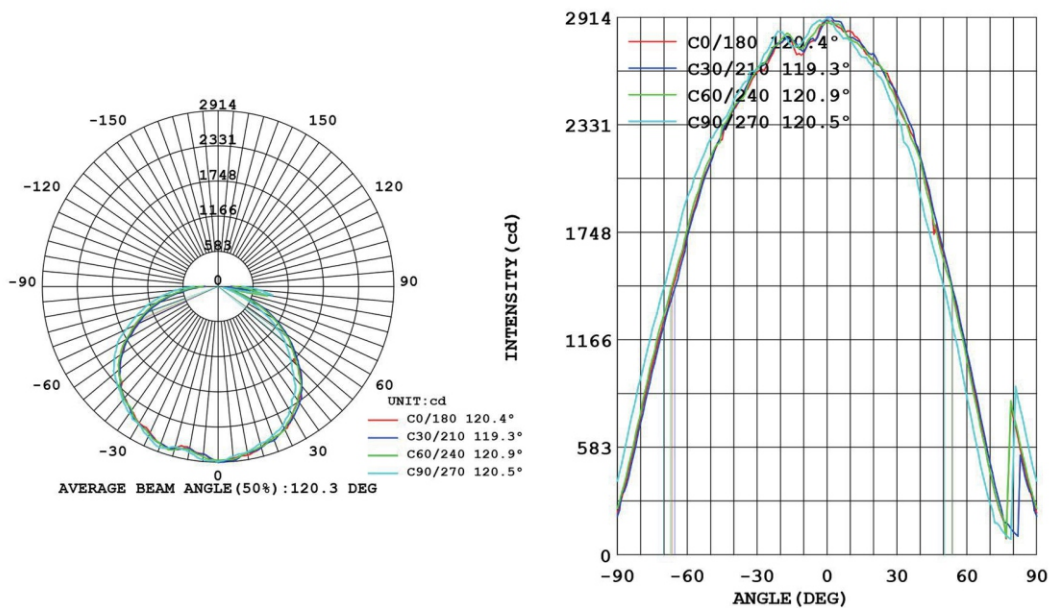


EPLC01 Series

Hazardous Location LED High Bay Lights



LightingDistribution



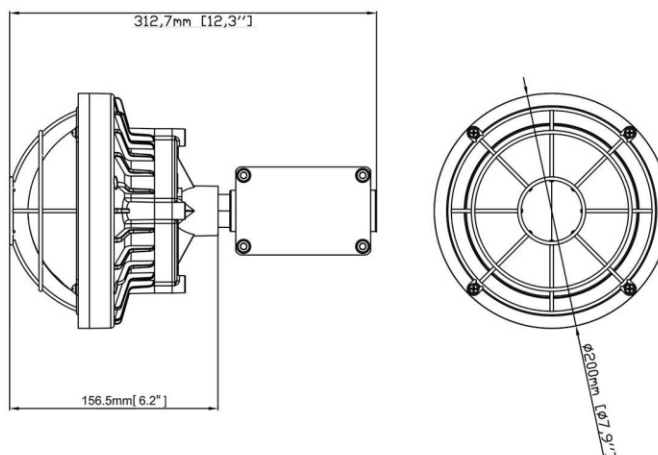
Height	AVR E	CENTER E	Diameter
1.00m	724.981x	2899.861x	346.41cm
3.00m	80.551x	322.211x	1039.22cm
5.00m	29.001x	115.991x	1732.04cm
7.00m	14.801x	59.181x	2424.85cm
9.00m	8.951x	35.801x	3117.67cm

Angle:120.0deg

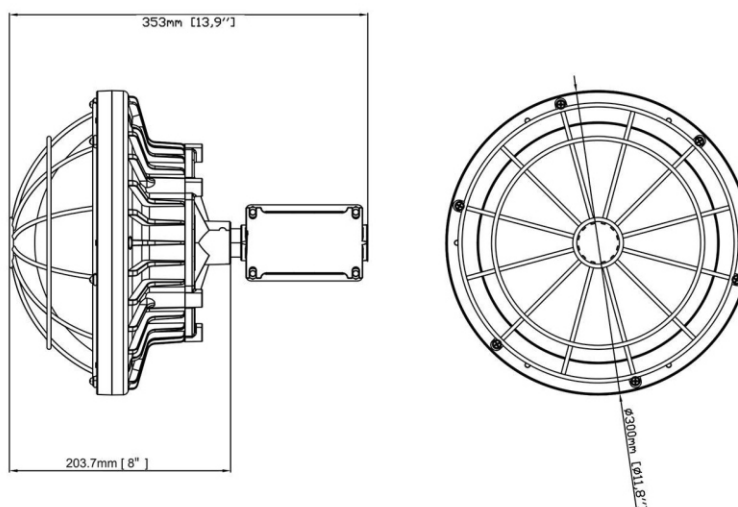
EPLC01 Series Hazardous Location LED High Bay Lights



Size and packaging



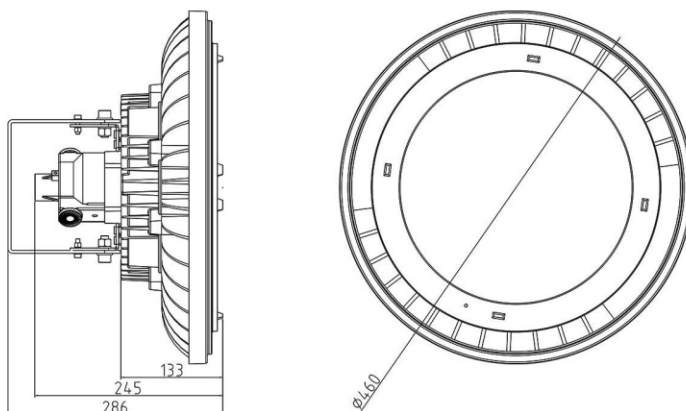
Product Model	Product Size	Carton Size	QTY/CTN	Net Weight	Gross Weight
EPLC01-30W	$\phi 200 \times 157(312.7) \text{mm} / \phi 7.9 \times 6.2(12.3)''$	270×270×280mm/10.7×10.7×11.1"	1	3.0 kg/6.7 lbs	3.1 kg/6.9 lbs
EPLC01-40W	$\phi 200 \times 157(312.7) \text{mm} / \phi 7.9 \times 6.2(12.3)''$	270×270×280mm/10.7×10.7×11.1"	1	3.0 kg/6.7 lbs	3.1 kg/6.9 lbs



Product Model	Product Size	Carton Size	QTY/CTN	Net Weight	Gross Weight
EPLC01-60W	$\phi 300 \times 204(353) \text{mm} / \phi 11.8 \times 8(13.9)''$	370×370×340 mm/14.6×14.6×13.4"	1	7.0kg/15.5 lbs	8.0 kg/17.7 lbs
EPLC01-80W	$\phi 300 \times 204(353) \text{mm} / \phi 11.8 \times 8(13.9)''$	370×370×340 mm/14.6×14.6×13.4"	1	7.0 kg/15.5 lbs	8.0 kg/17.7 lbs

EPLC01 Series

Hazardous Location LED High Bay Lights



Product Model	Product Size	Carton Size	QTY/CTN	Net Weight	Gross Weight
EPLC01-100W	$\phi 460 \times 243 \text{mm} / \phi 18.1 \times 9.6"$	530×530×390mm/20.9×20.9×15.4"	1	14.3 kg/29.6 lbs	17.2 kg/37.9 lbs
EPLC01-120W	$\phi 460 \times 243 \text{mm} / \phi 18.1 \times 9.6"$	530×530×390mm/20.9×20.9×15.4"	1	14.3 kg/29.6 lbs	17.2 kg/37.9 lbs
EPLC01-150W	$\phi 460 \times 243 \text{mm} / \phi 18.1 \times 9.6"$	530×530×390mm/20.9×20.9×15.4"	1	14.3 kg/29.6 lbs	17.2 kg/37.9 lbs
EPLC01-185W	$\phi 460 \times 243 \text{mm} / \phi 18.1 \times 9.6"$	530×530×390mm/20.9×20.9×15.4"	1	14.3 kg/29.6 lbs	17.2 kg/37.9 lbs
EPLC01-200W	$\phi 460 \times 243 \text{mm} / \phi 18.1 \times 9.6"$	530×530×390mm/20.9×20.9×15.4"	1	14.3 kg/29.6 lbs	17.2 kg/37.9 lbs

Technical parameter

Product Model	SS-EPLC01-30-40W-XX-XXX	SS-EPLC01-60-80W-XX-XXX	SS-EPLC01-100-200W-XX-XXX
Type	LED Explosion proof High Bay Light		
Light efficiency (Lm/W)	130 lm/W		
Power (W)	30W/40W	60W/80W	100W/120W/150W/185W/200W
Voltage - Frequency	100-277Vac 50-60Hz		
Color Temp	5000K (Provides 3000K to 6500K)		
CRI (Ra) (typ.)	≥70		
Power Supply	High Efficiency LED driver, more than 50000 hours lifespan		
Beam Angle	120°		
Power Factor	>0.95		
Rated Lifetime - L70 (hrs.)	50,000		
THD	<10%		
Operating temperature	-40 °C to +50 °C		
Entry Size	3/4"-14 NPT or M25 X1.5 or M26 X1.5		
Cable	STOW, UL certification, 3x18AWG with 0.5m cable (standard)		

EPLC01 Series Hazardous Location LED High Bay Lights



Product display



①



②



③

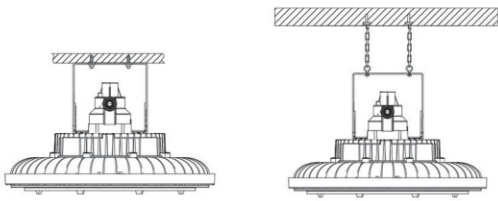
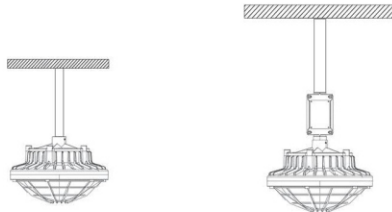


④

EPLC01 Series Hazardous Location LED High Bay Lights



Installation method

A. Ceiling mount	
B. Drop mount	
C. PA-Stanchion mount	